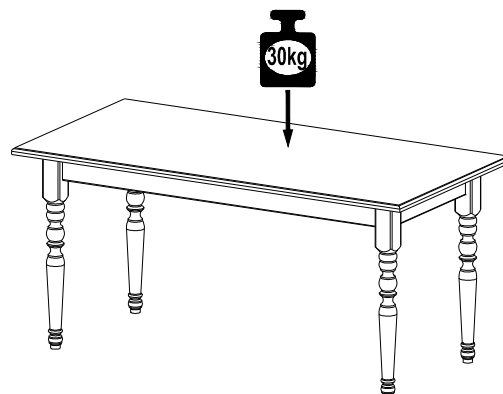
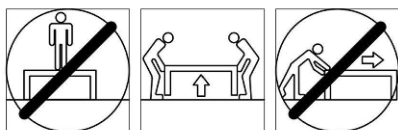


Art. Nr. 85137158; 22512667; 26133200; 85021807;
50226736; 28955243; 17575266; 69588502

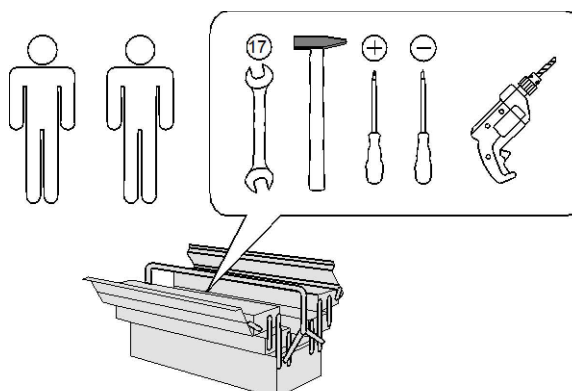
LKZ 40947

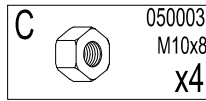
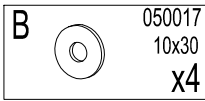
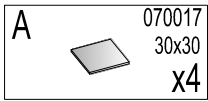


Art. 92023509; 17423254
63438909; 84371730



- | | |
|---------------------------------------|-----------------------------------|
| D Montageanleitung | GB Assembly instructions |
| FR Notice de montage | IT Istruzioni di montaggio |
| NL Handleiding voor de montage | PL Instrukcja montażu |
| CZ Montážní návod | SK Návod na montáž |
| HU Szerelési útmutató | RO Instrucțiuni de montaj |
| TR Montaj talimatı | RU Инструкция по монтажу |



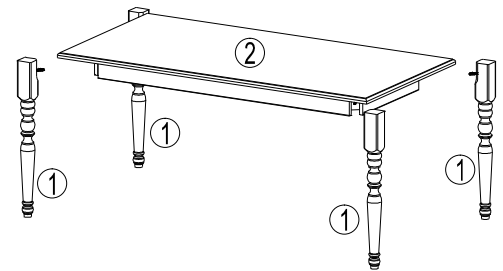


Art. Nr. 85137158; 22512667

Art. Nr.26133200; 85021807

No	Size/MaB (mm)	Qty	✓
1	726x70x70	4	
2	1100x680x125	1	

No	Size/MaB (mm)	Qty	✓
1	726x70x70	4	
2	1200x700x125	1	

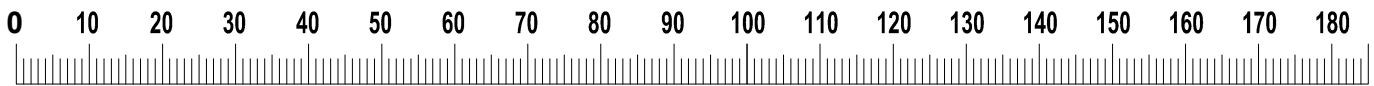


Art. Nr.50226736; 28955243

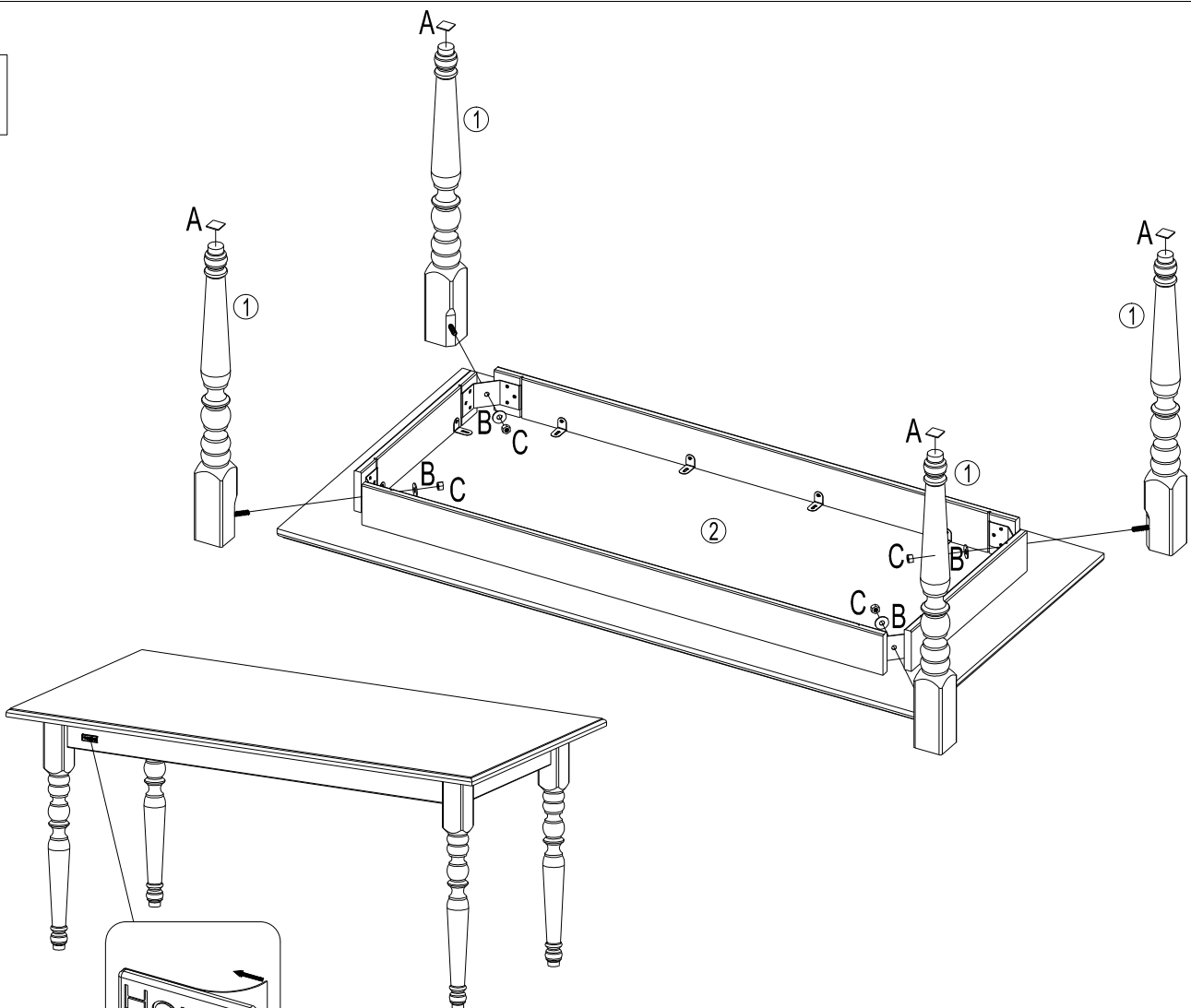
Art. Nr.17575266; 69588502

No	Size/MaB (mm)	Qty	✓
1	726x70x70	4	
2	1600x800x125	1	

No	Size/MaB (mm)	Qty	✓
1	726x70x70	4	
2	2000x1000x125	1	



1



2