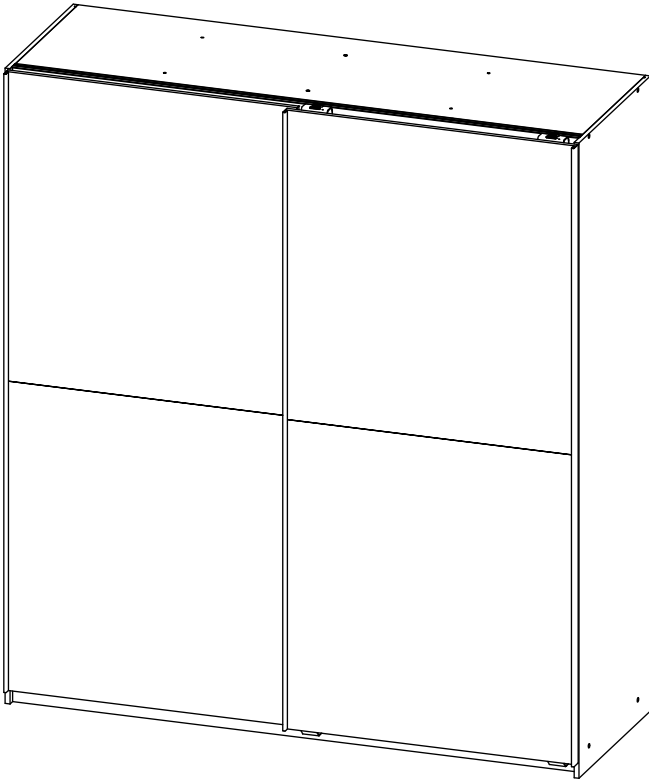


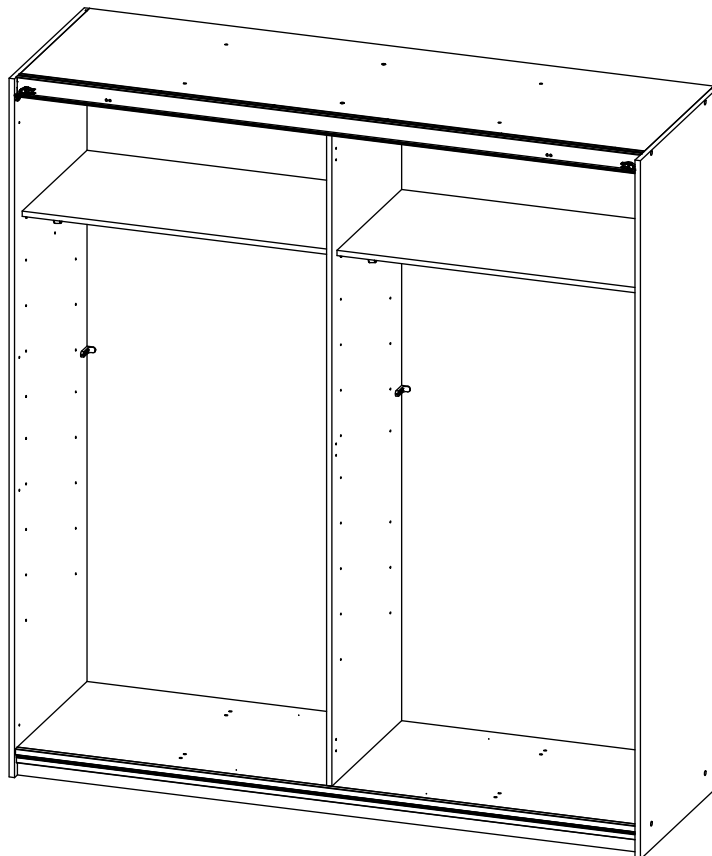
980929



1. = 980930

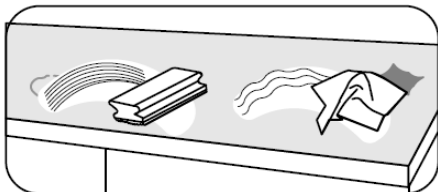
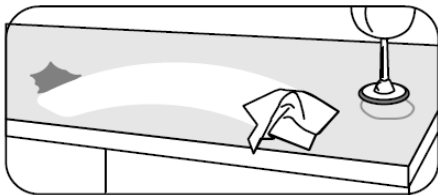
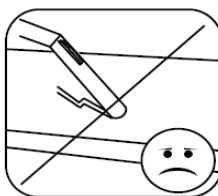
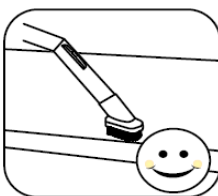
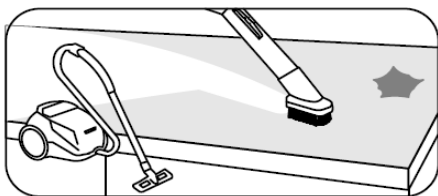
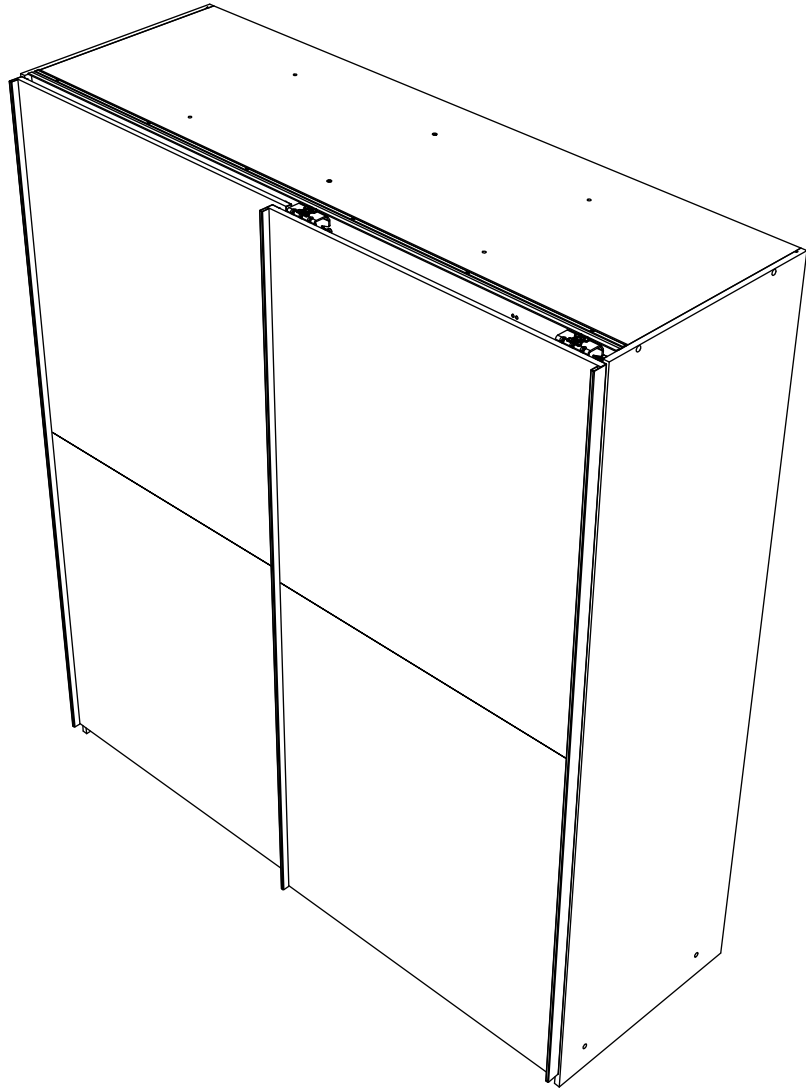


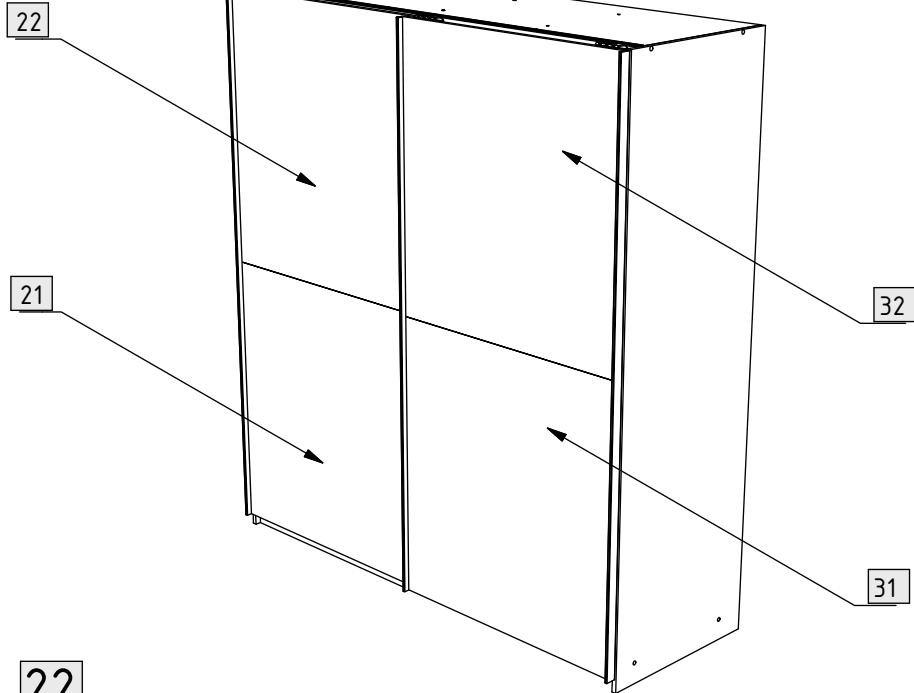
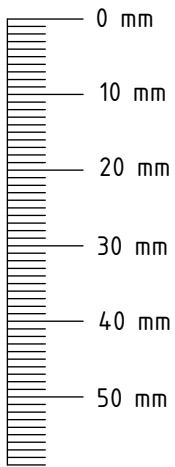
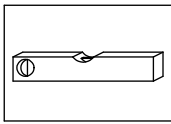
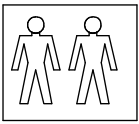
2. = 980931



3. = 980929

1.



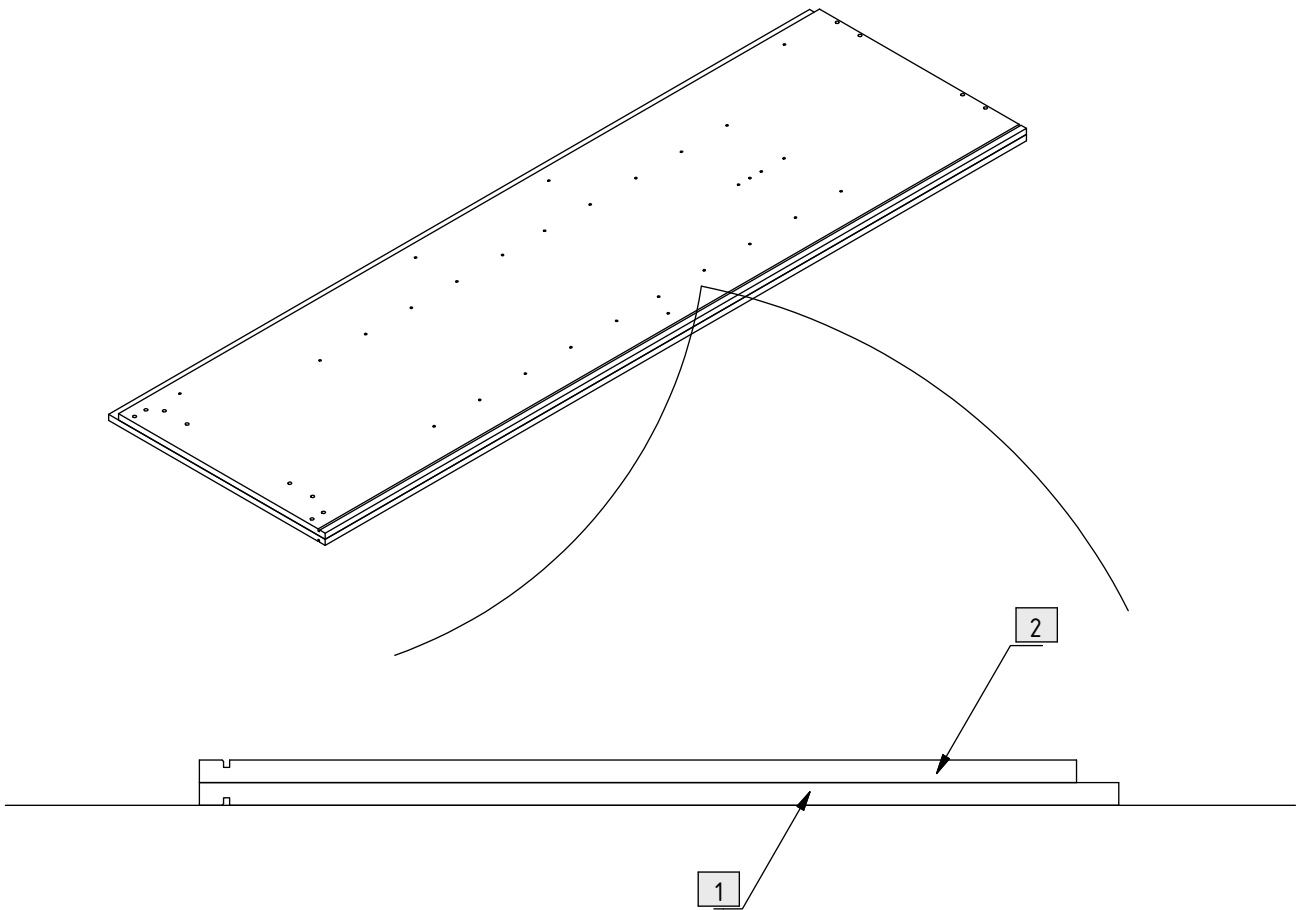
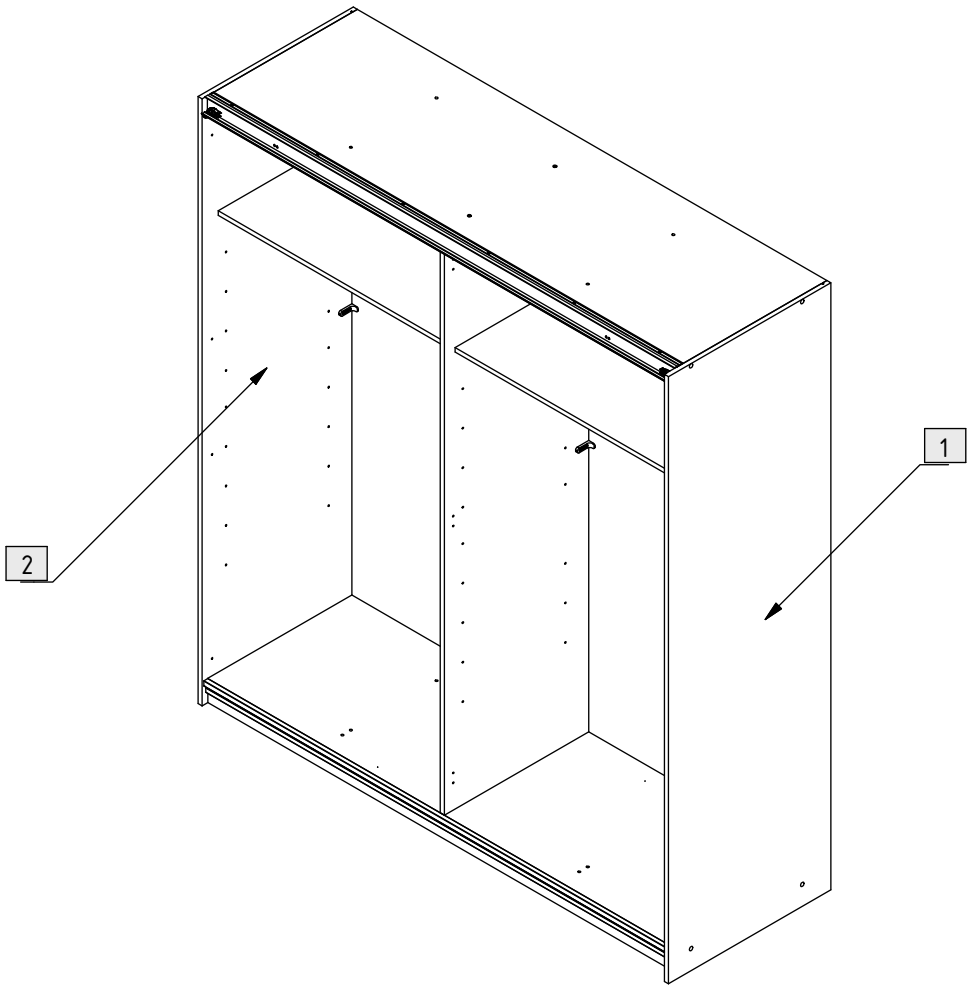


21 + **22**

| | | | |
|-----|----|--|---------------|
| 230 | 1 | | 90 x 50 mm |
| 306 | 10 | | 6,3 x 10,0 mm |
| 380 | 4 | | 3,5 x 15 mm |
| 382 | 20 | | 4 x 15 mm |
| 800 | 1 | | L = 1915 mm |
| 801 | 1 | | L = 1915 mm |
| 804 | 2 | | |
| 805 | 1 | | |
| 806 | 1 | | |
| 807 | 1 | | |

31 + **32**

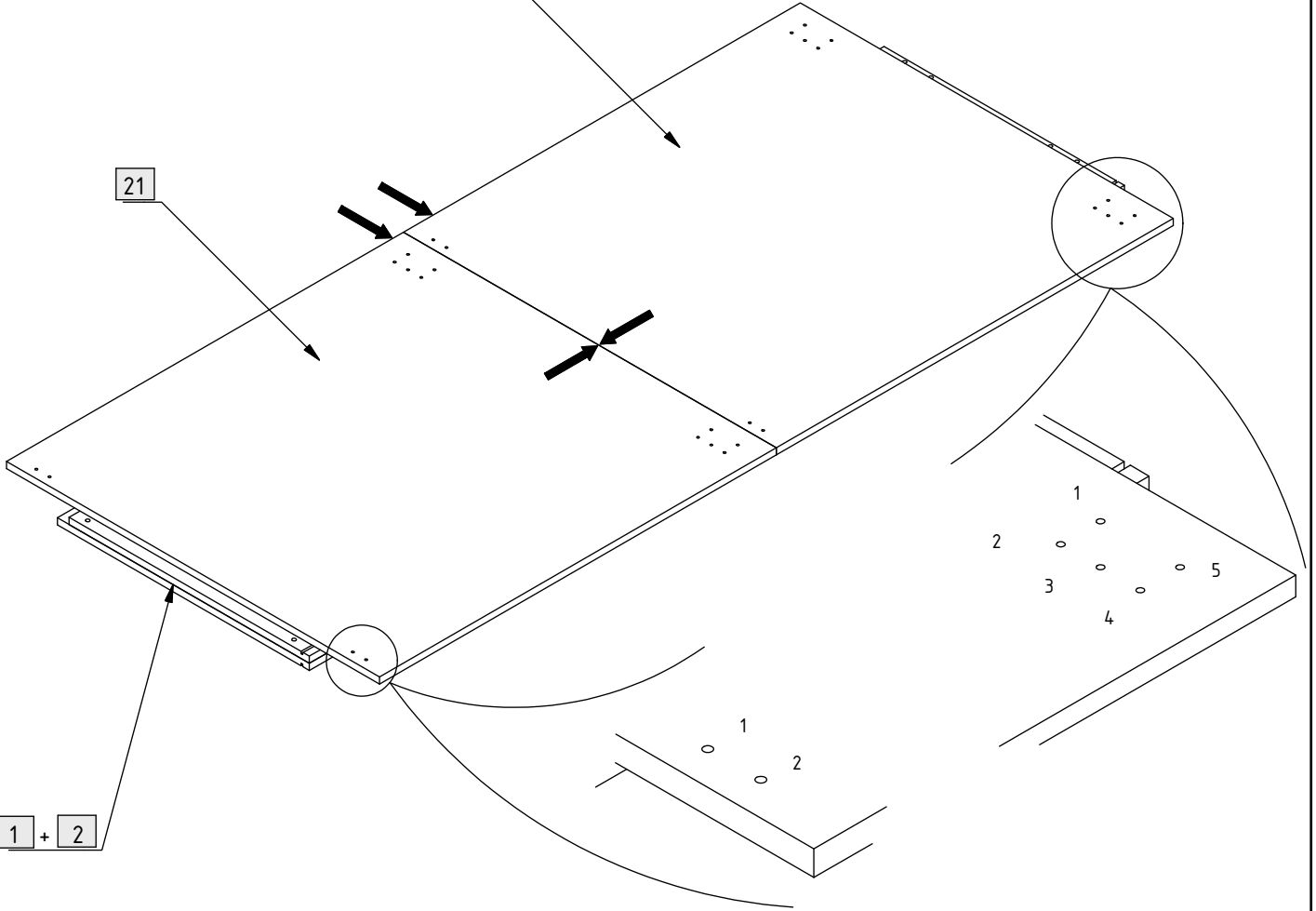
| | | | |
|-----|----|--|-------------|
| 230 | 1 | | 90 x 50 mm |
| 306 | 14 | | 6,3 x 10 mm |
| 380 | 4 | | 3,5 x 15 mm |
| 382 | 20 | | 4 x 15 mm |
| 800 | 2 | | L = 1915 mm |
| 802 | 2 | | |
| 803 | 2 | | |



21 + 22

22

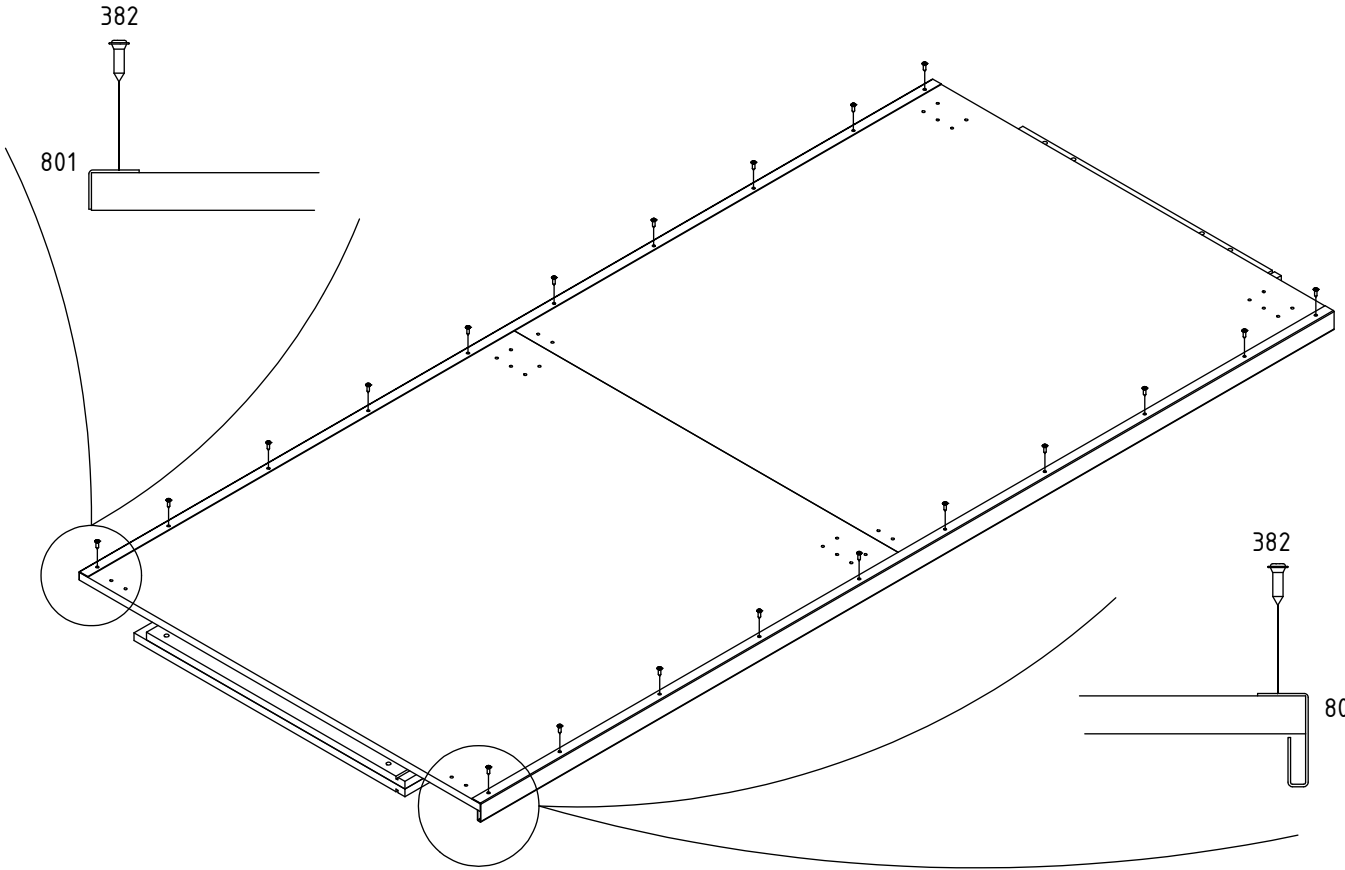
21



1 + 2

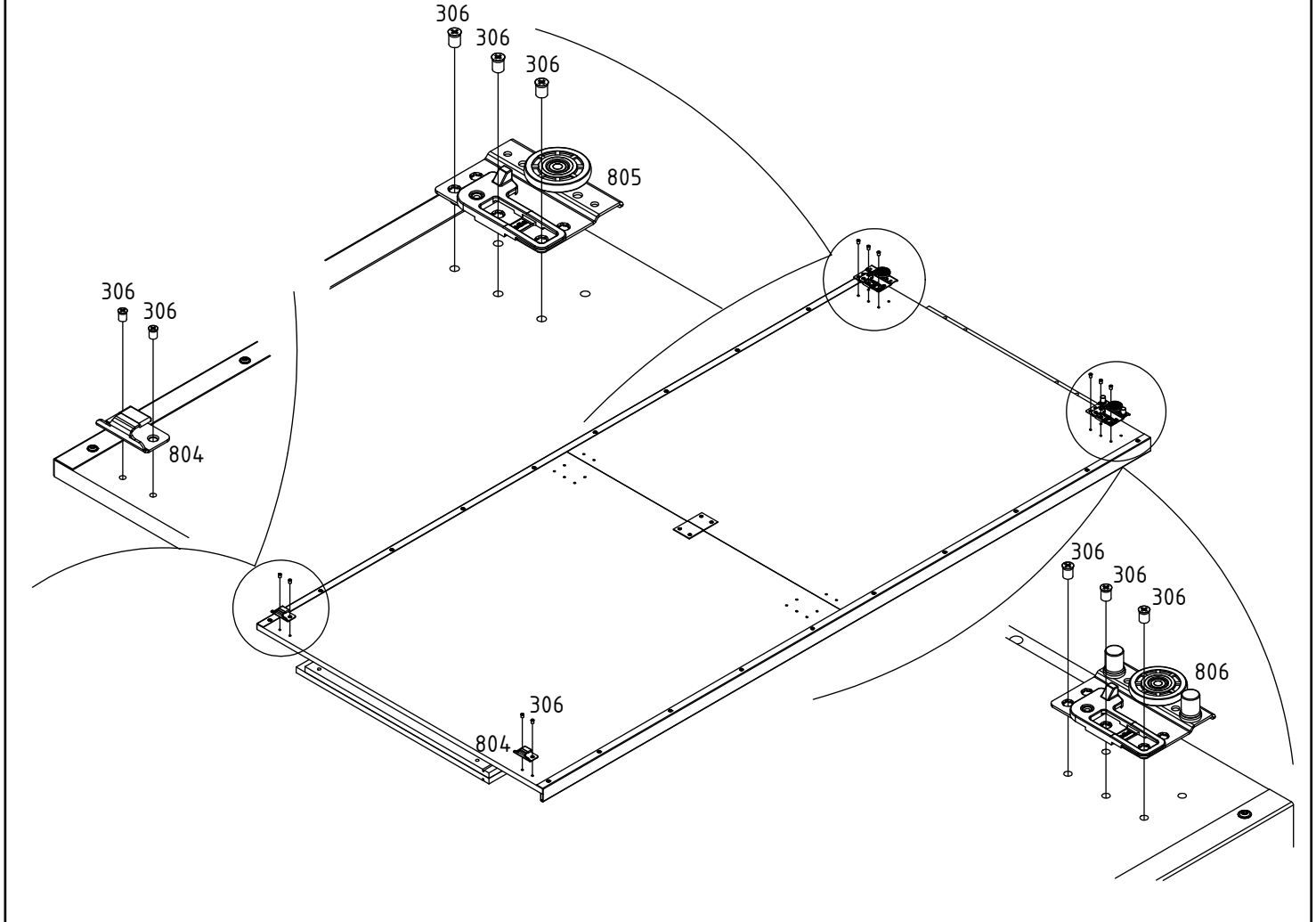
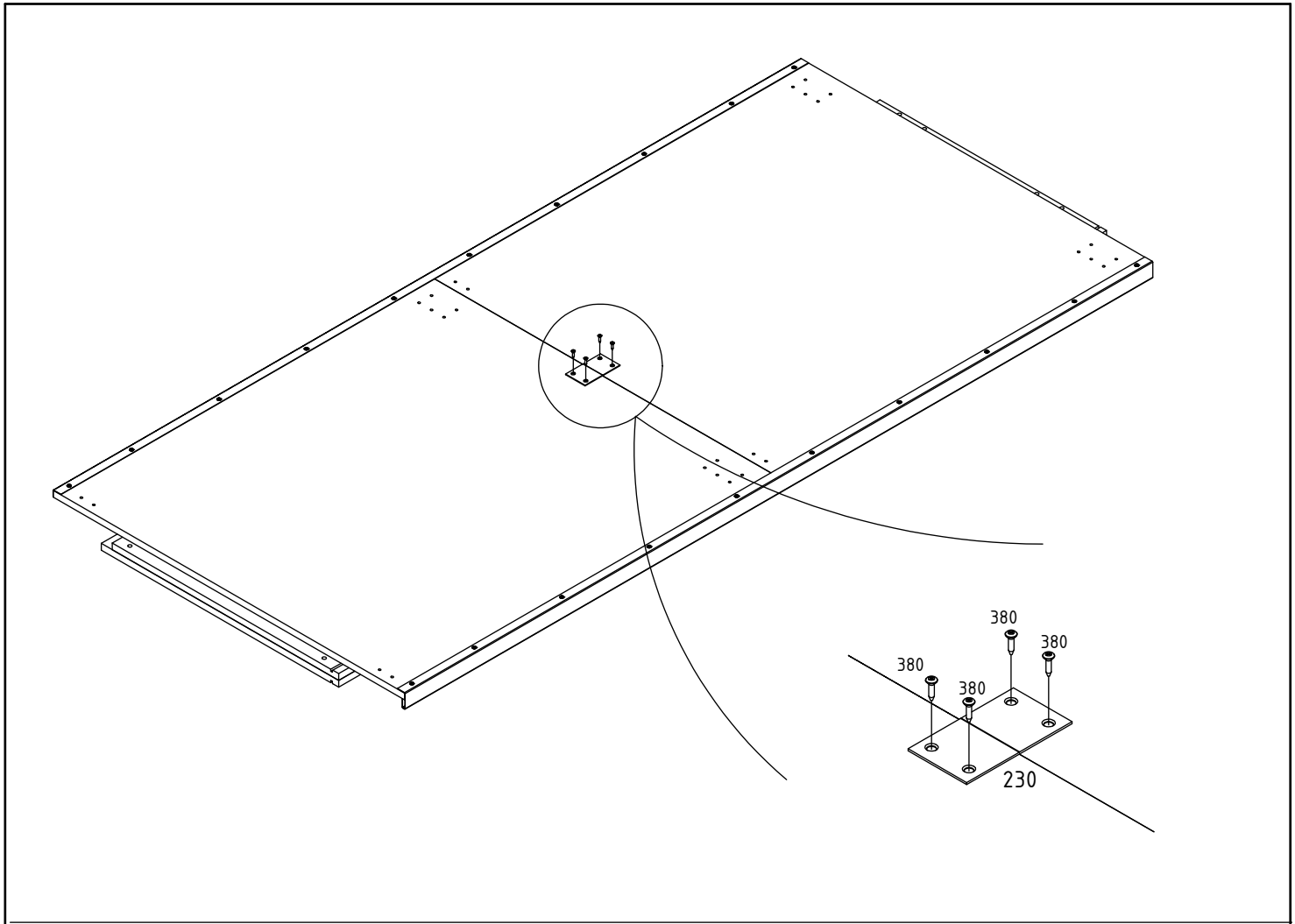
382

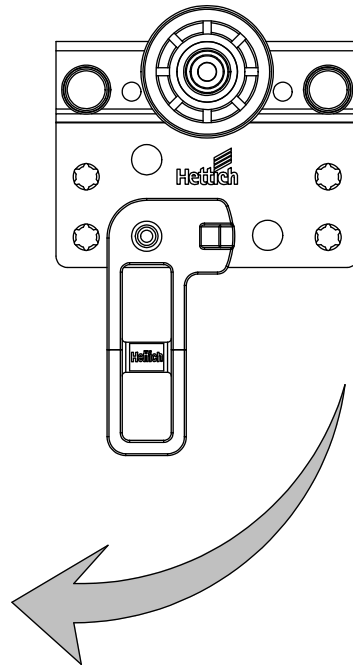
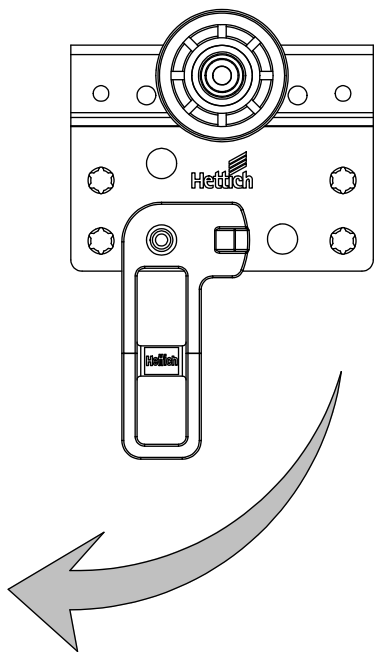
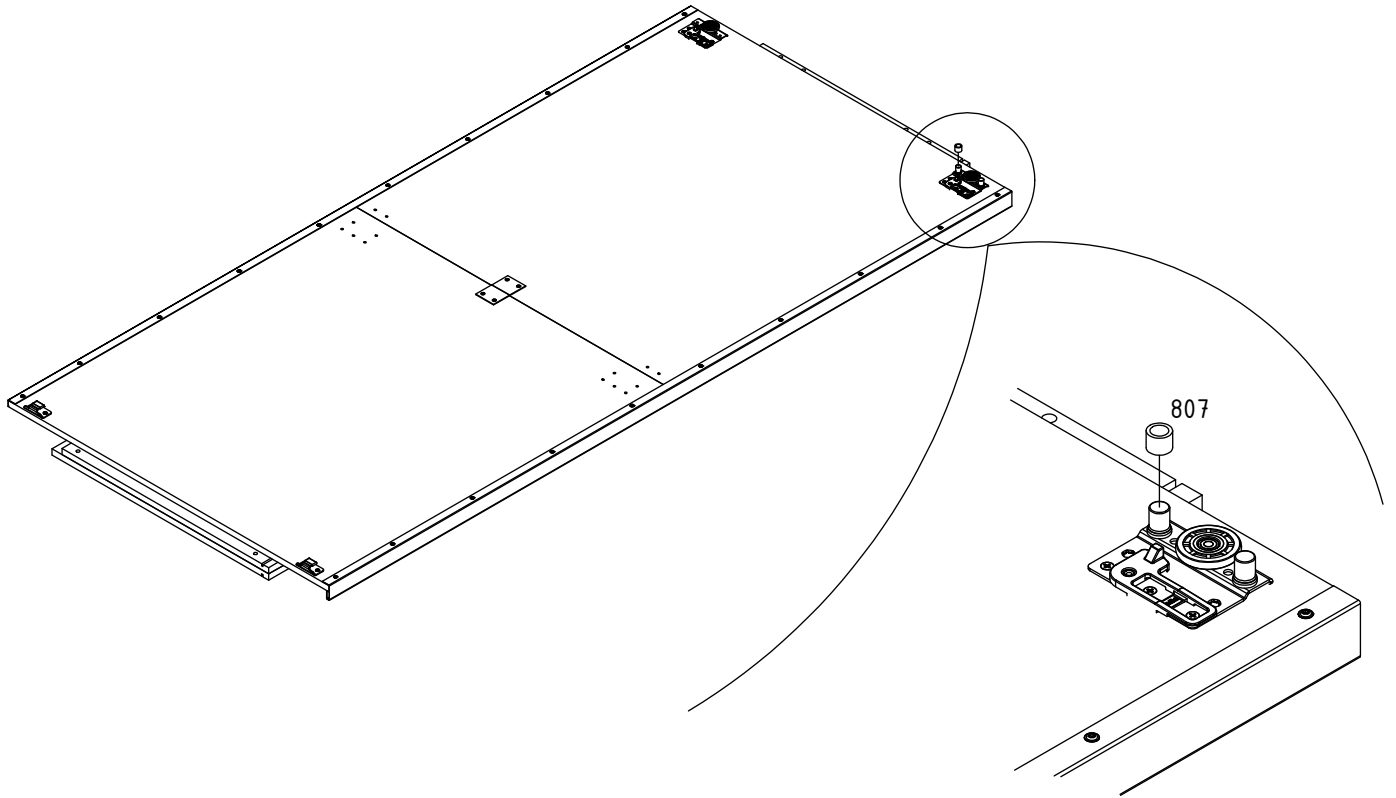
801

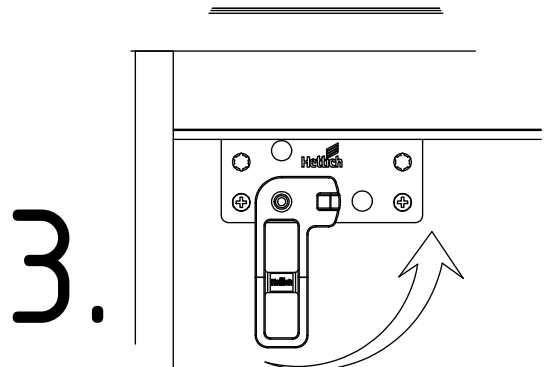
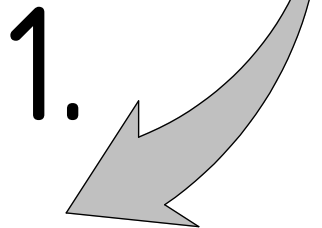
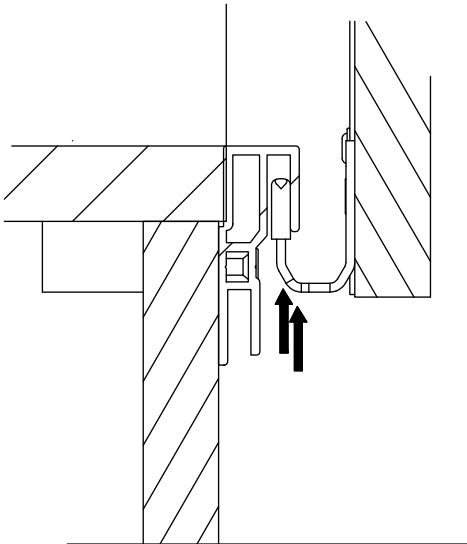
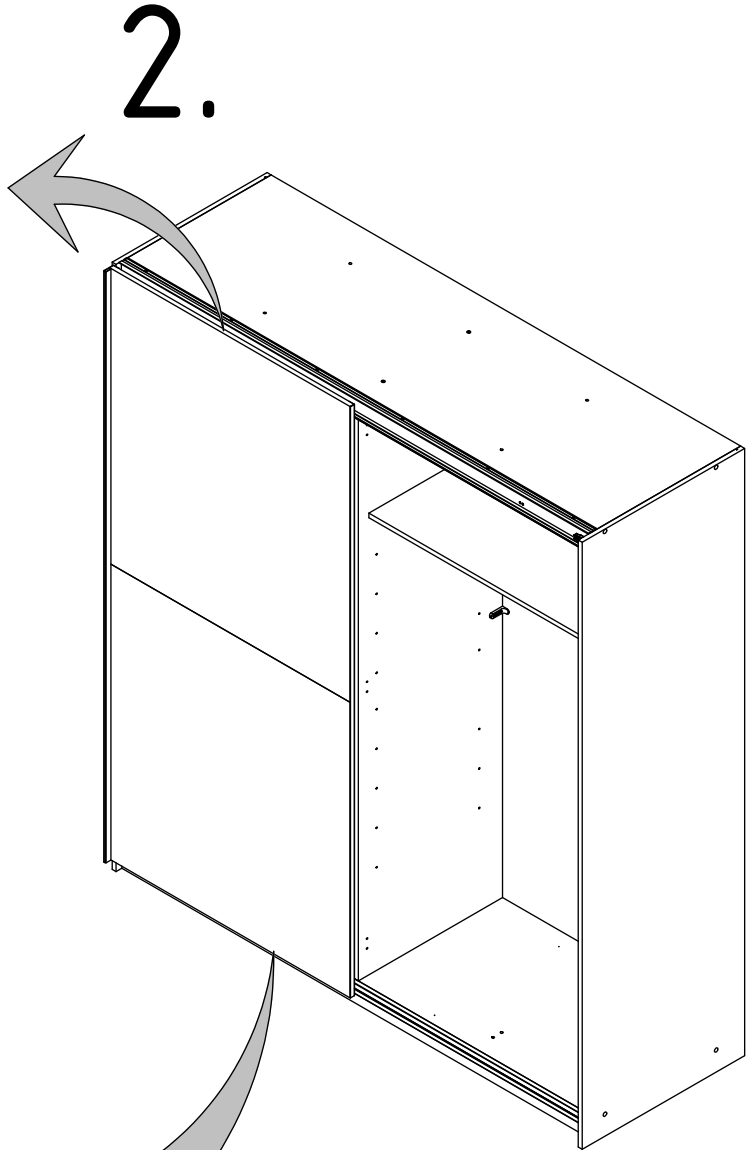
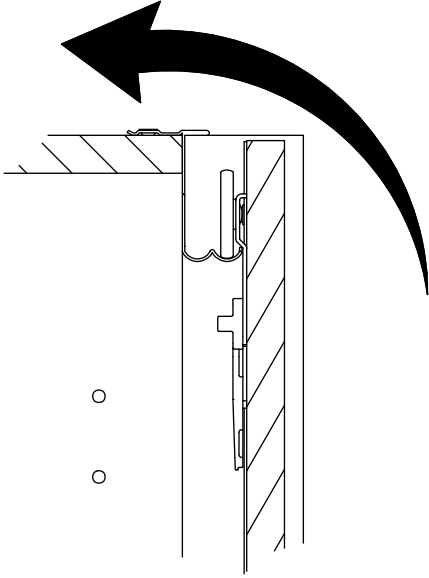
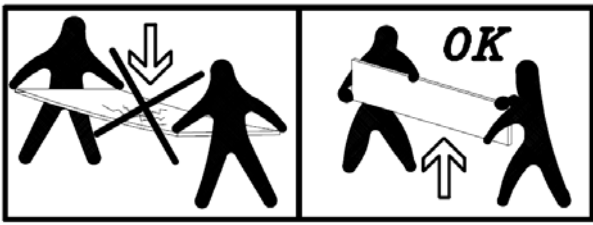


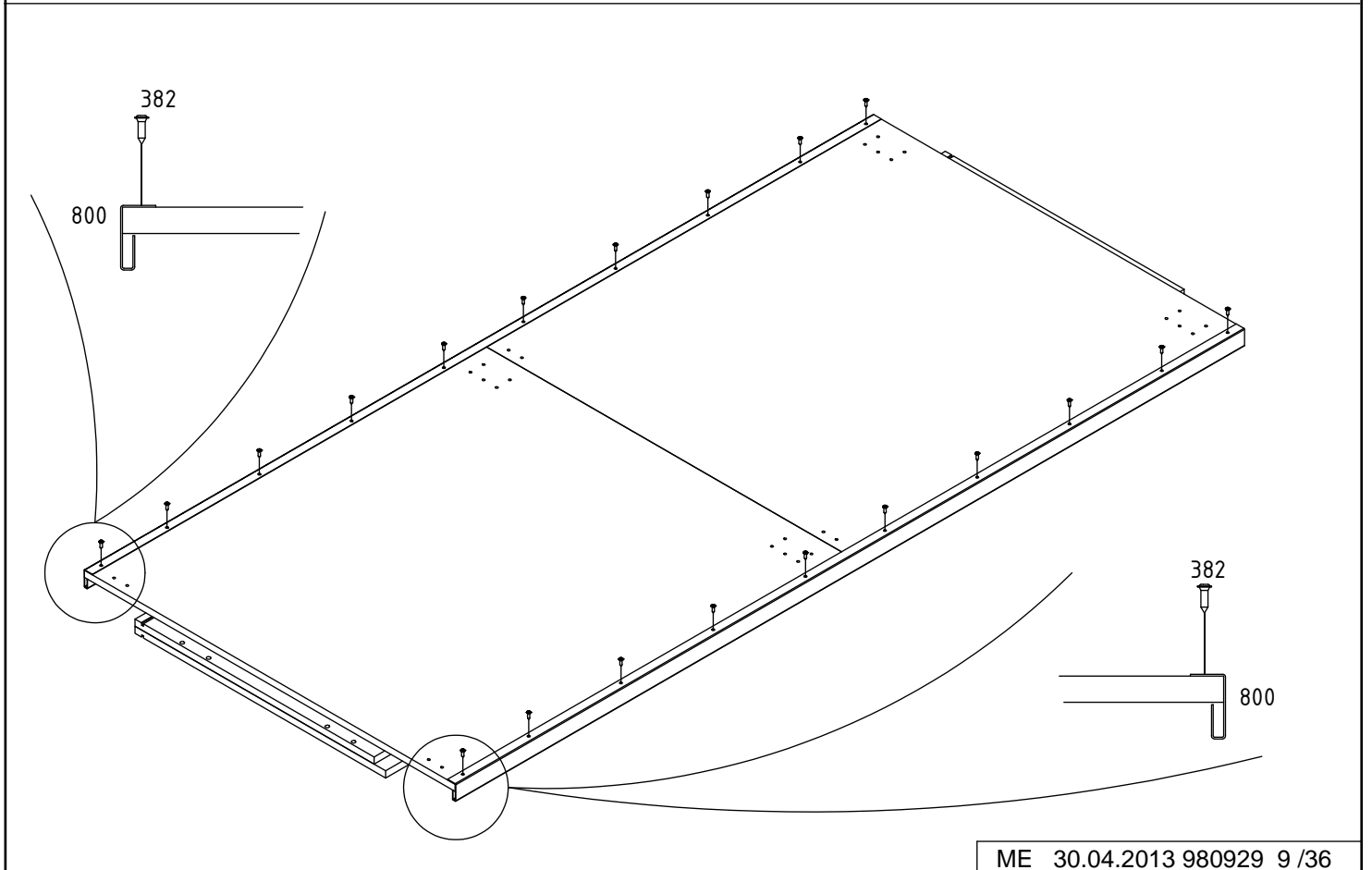
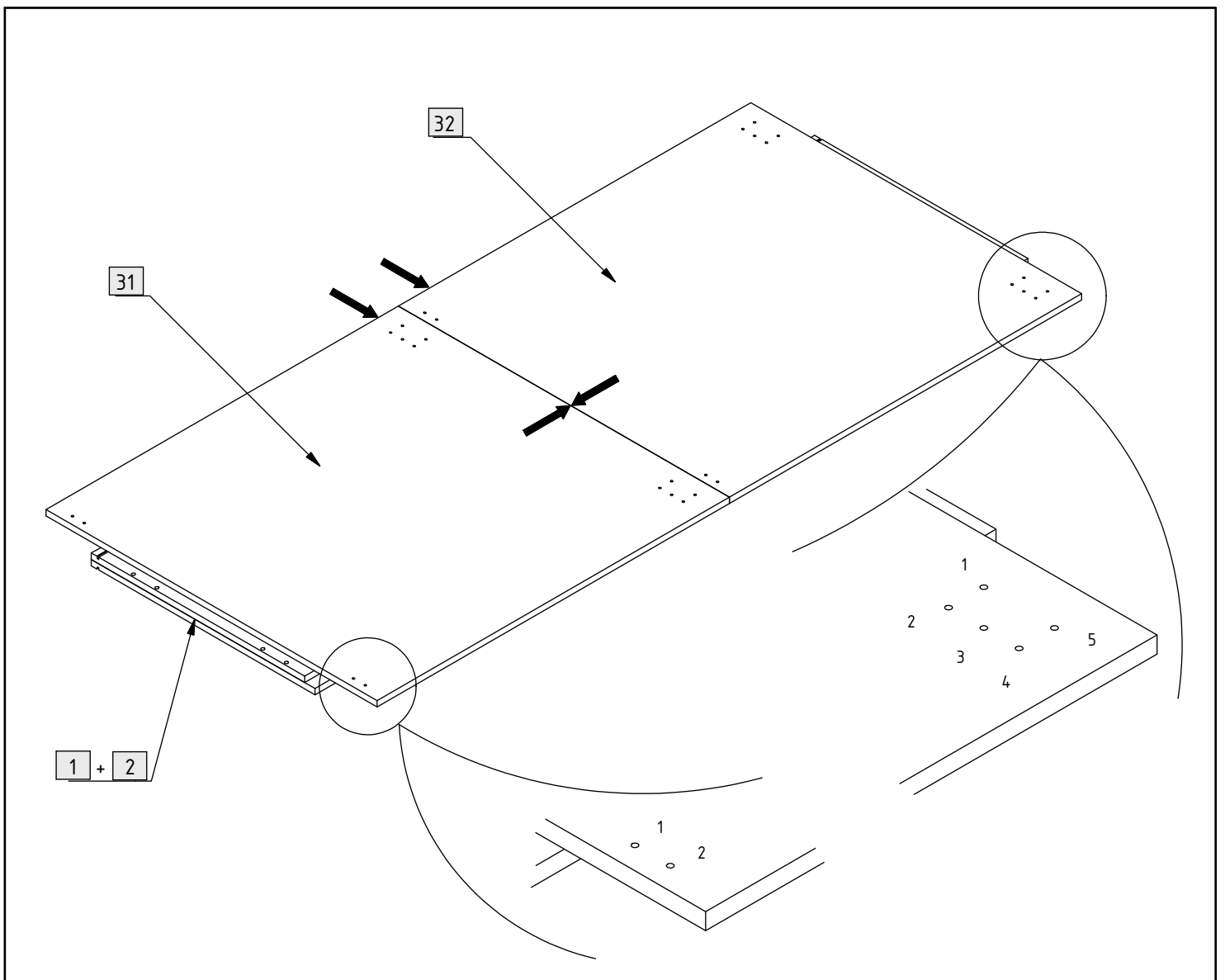
382

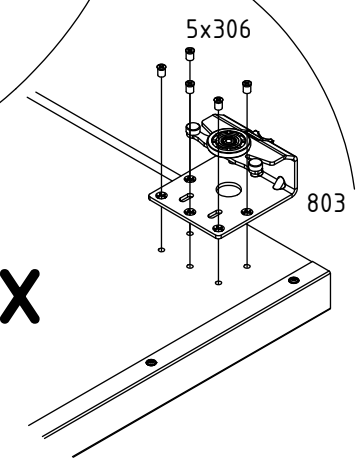
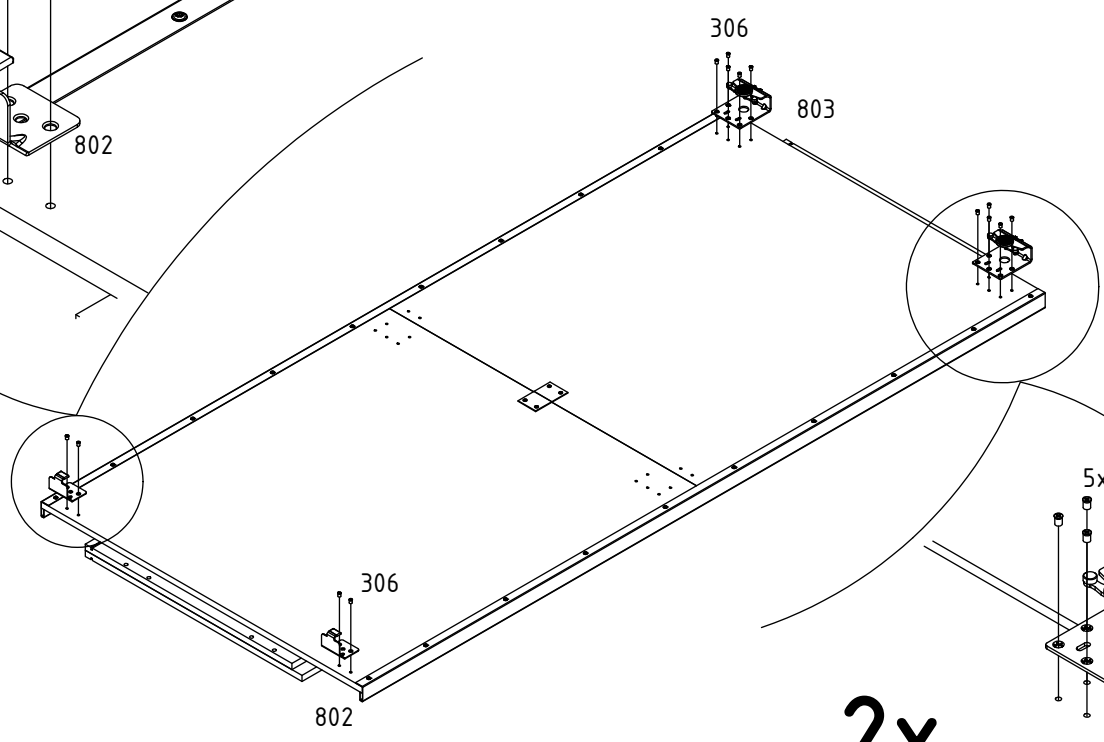
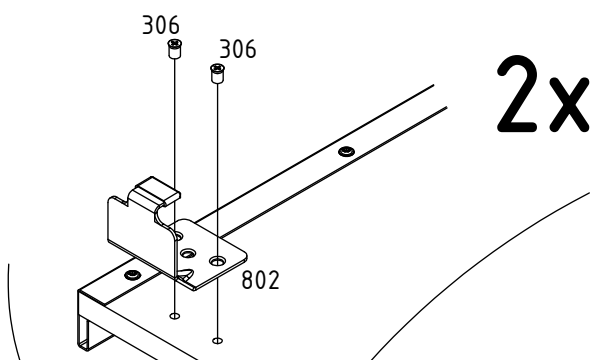
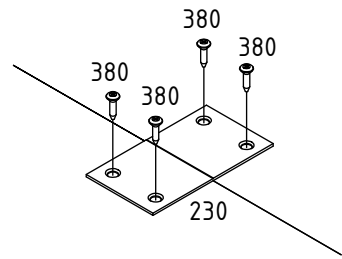
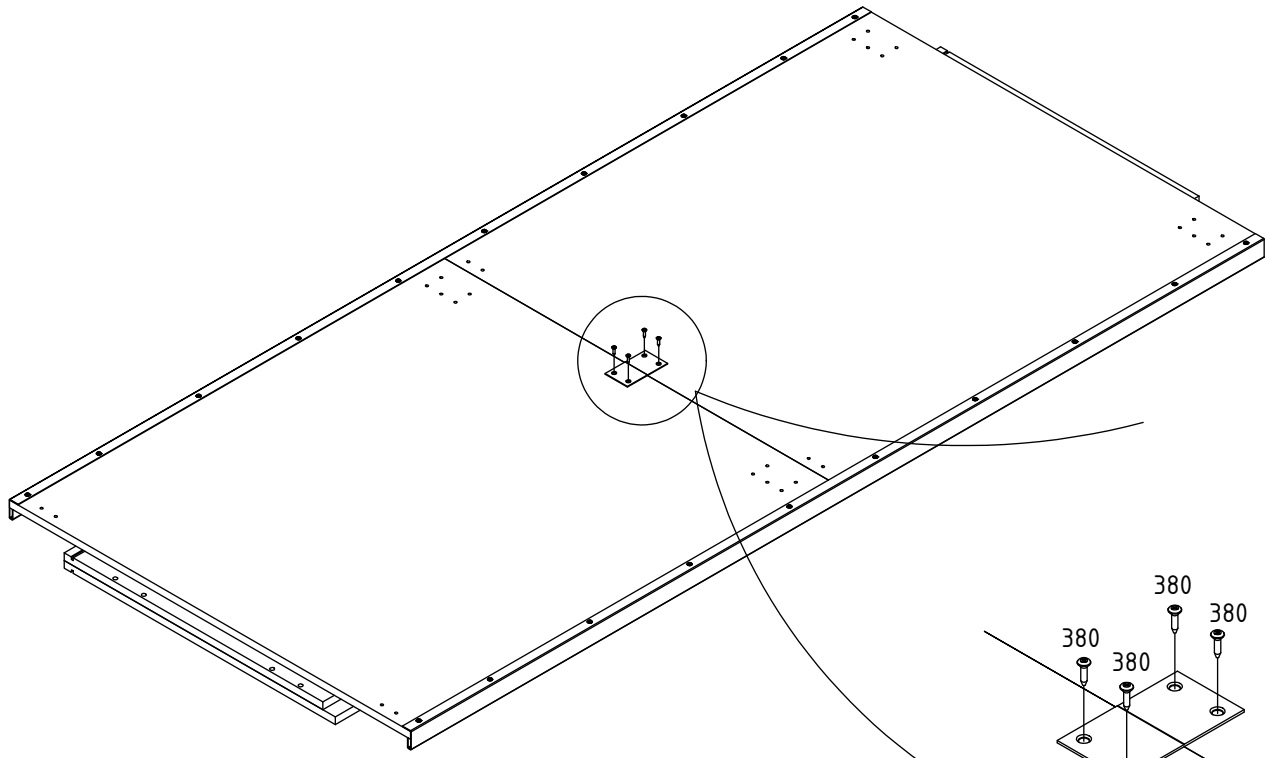
800

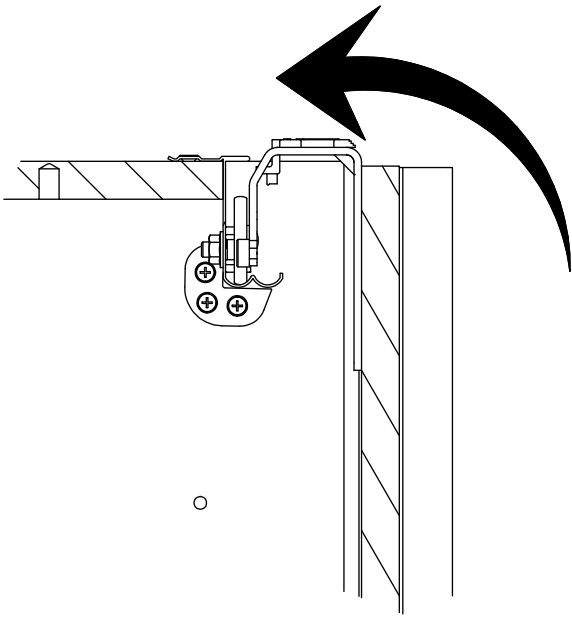
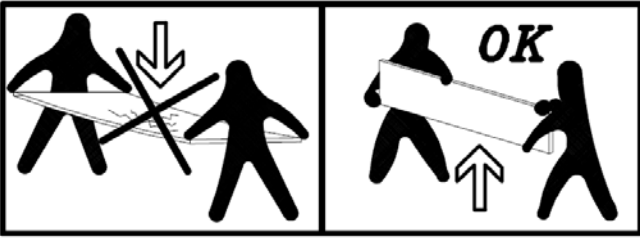




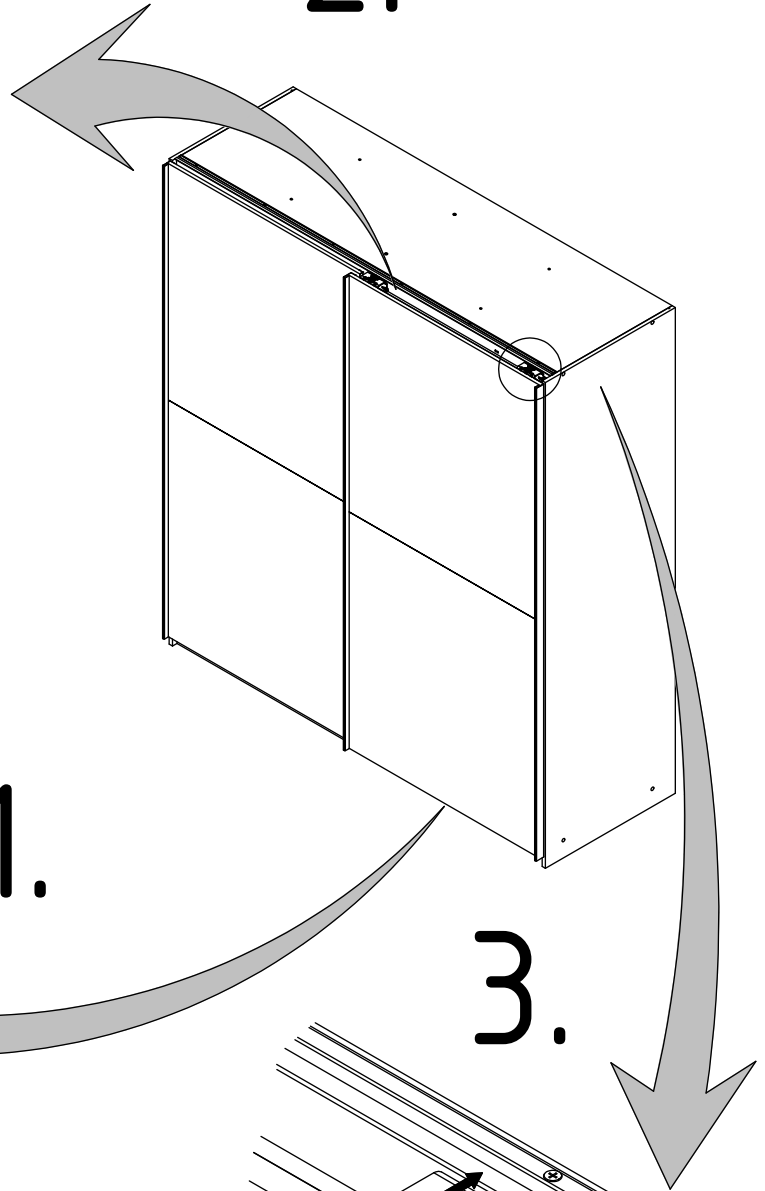




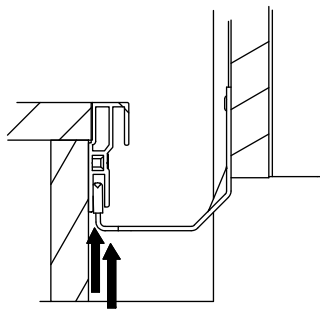




2.

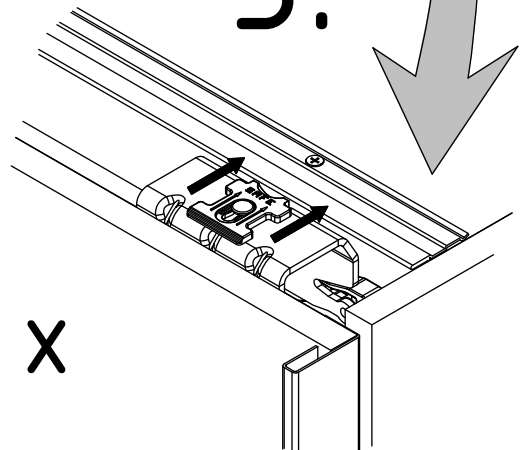


1.

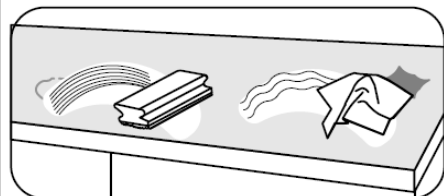
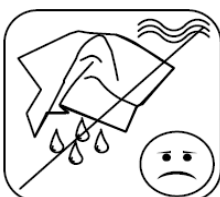
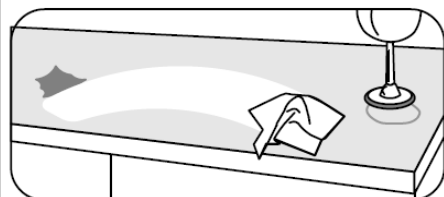
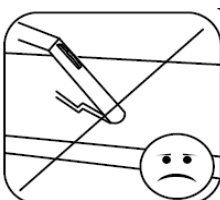
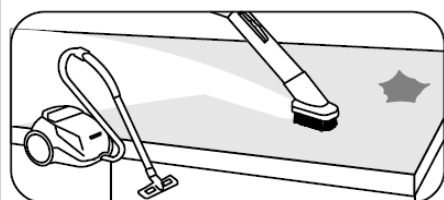
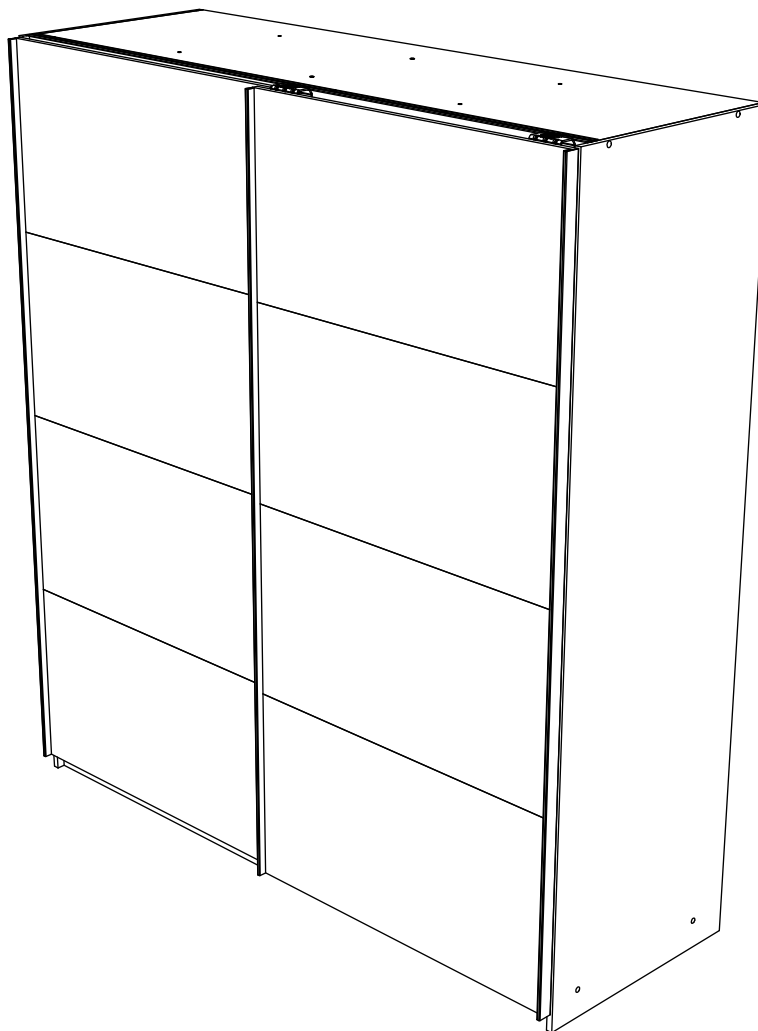


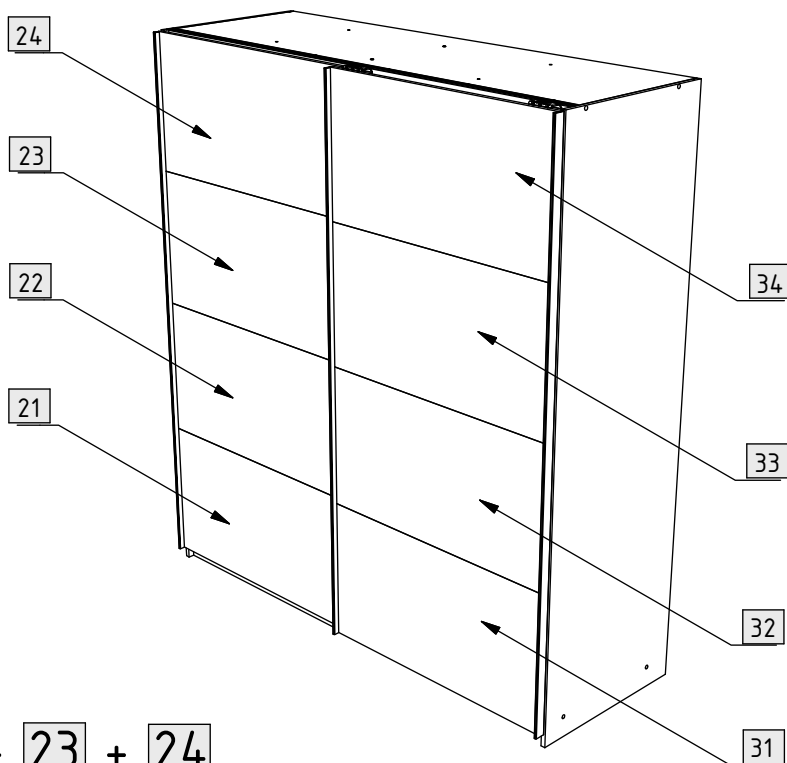
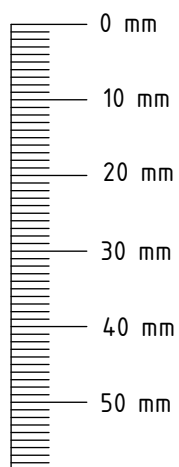
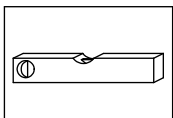
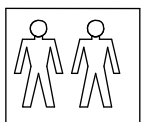
3.

2 x



2.



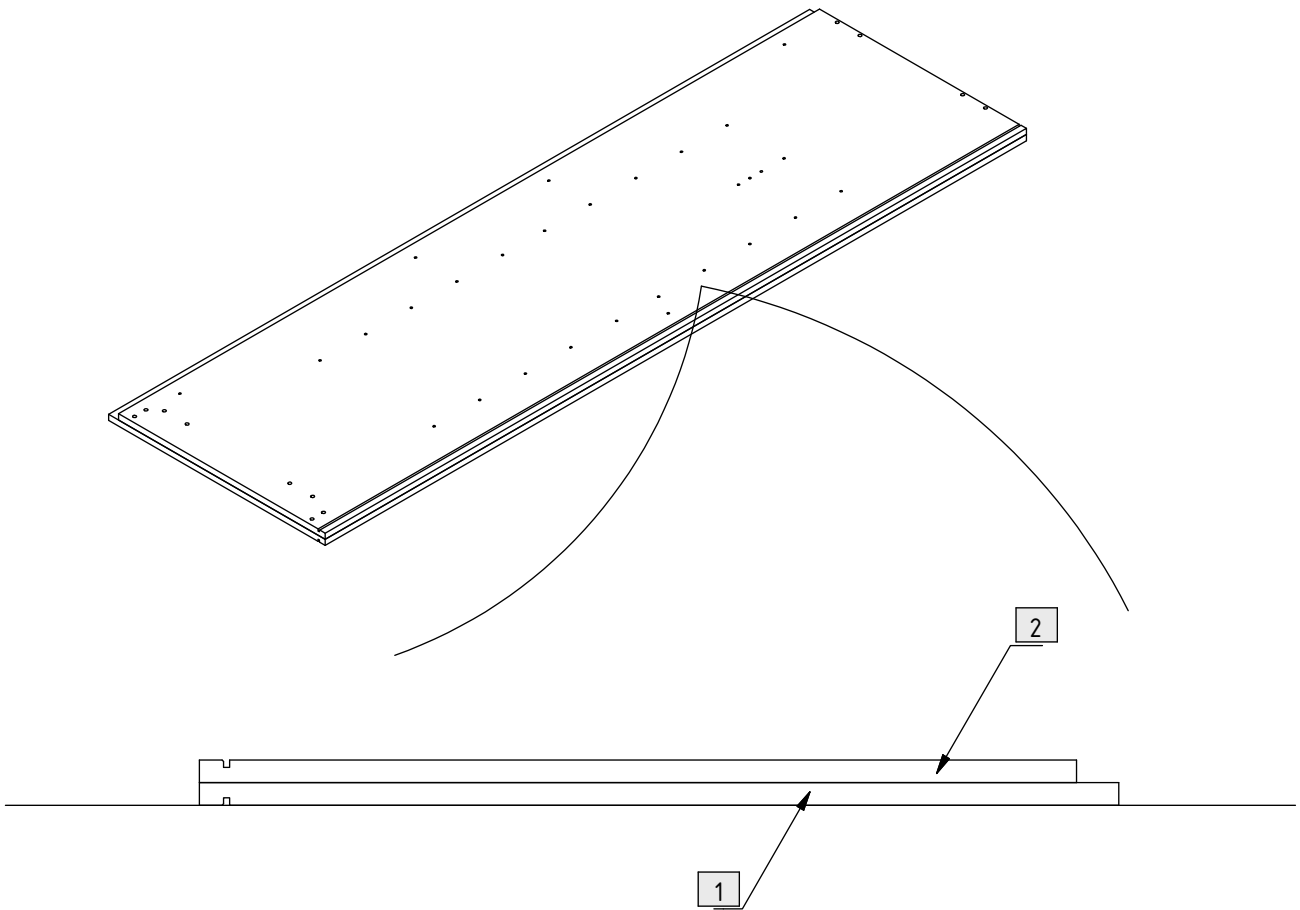
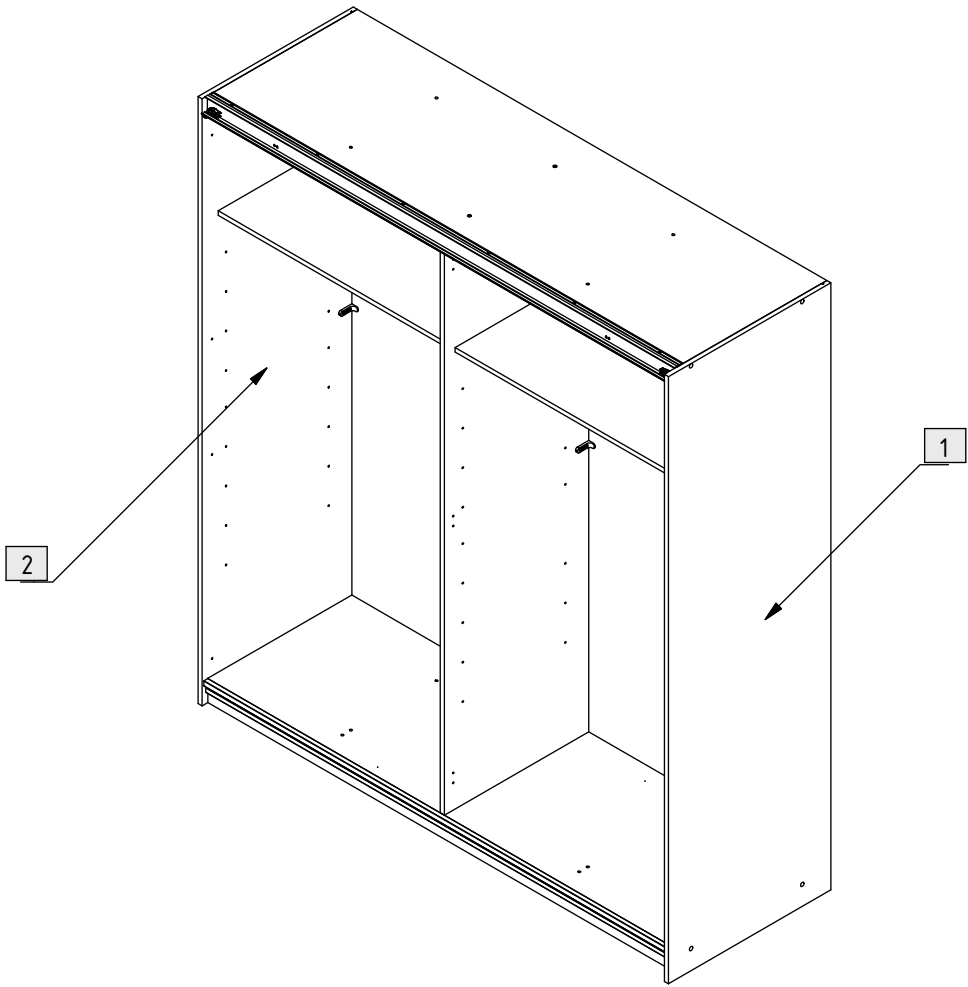


21 + 22 + 23 + 24

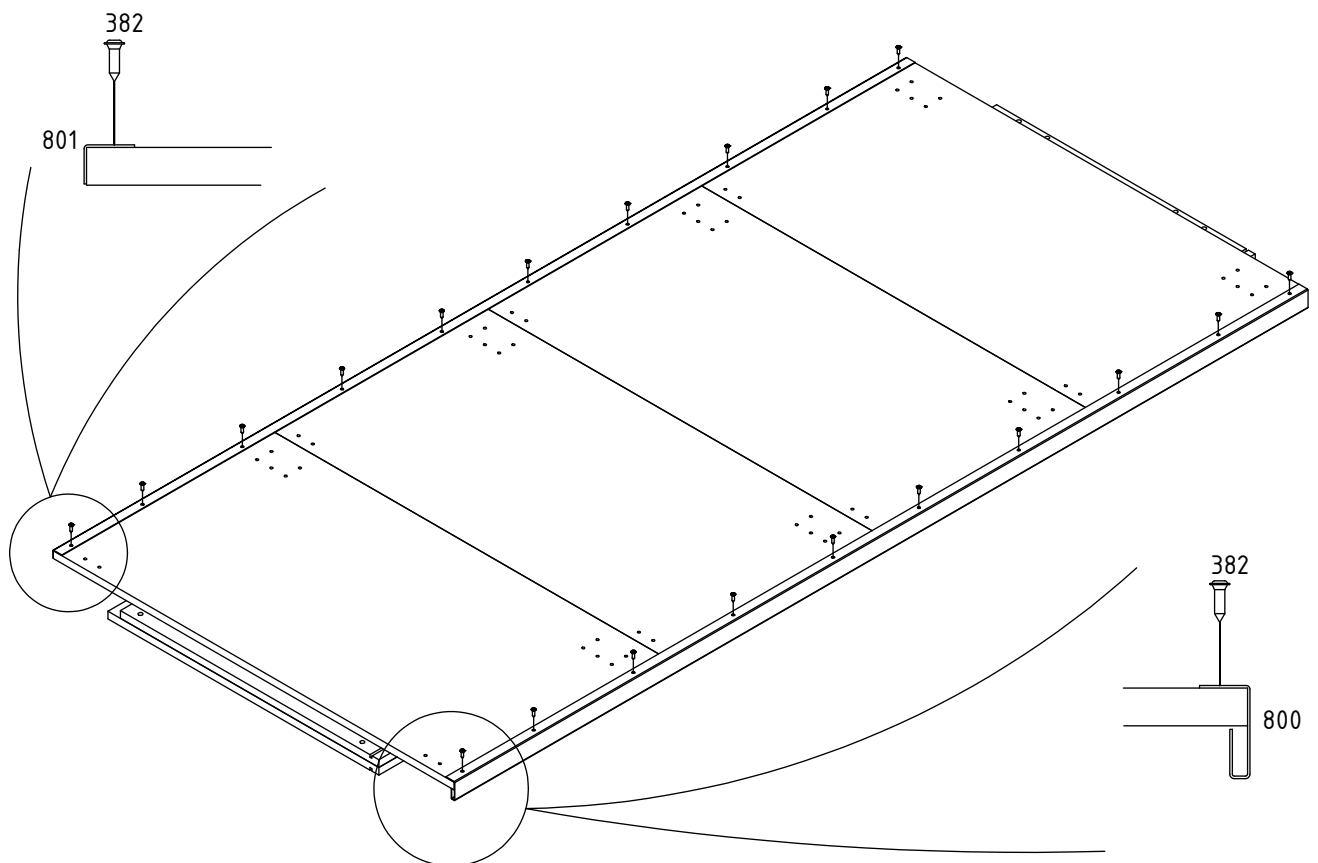
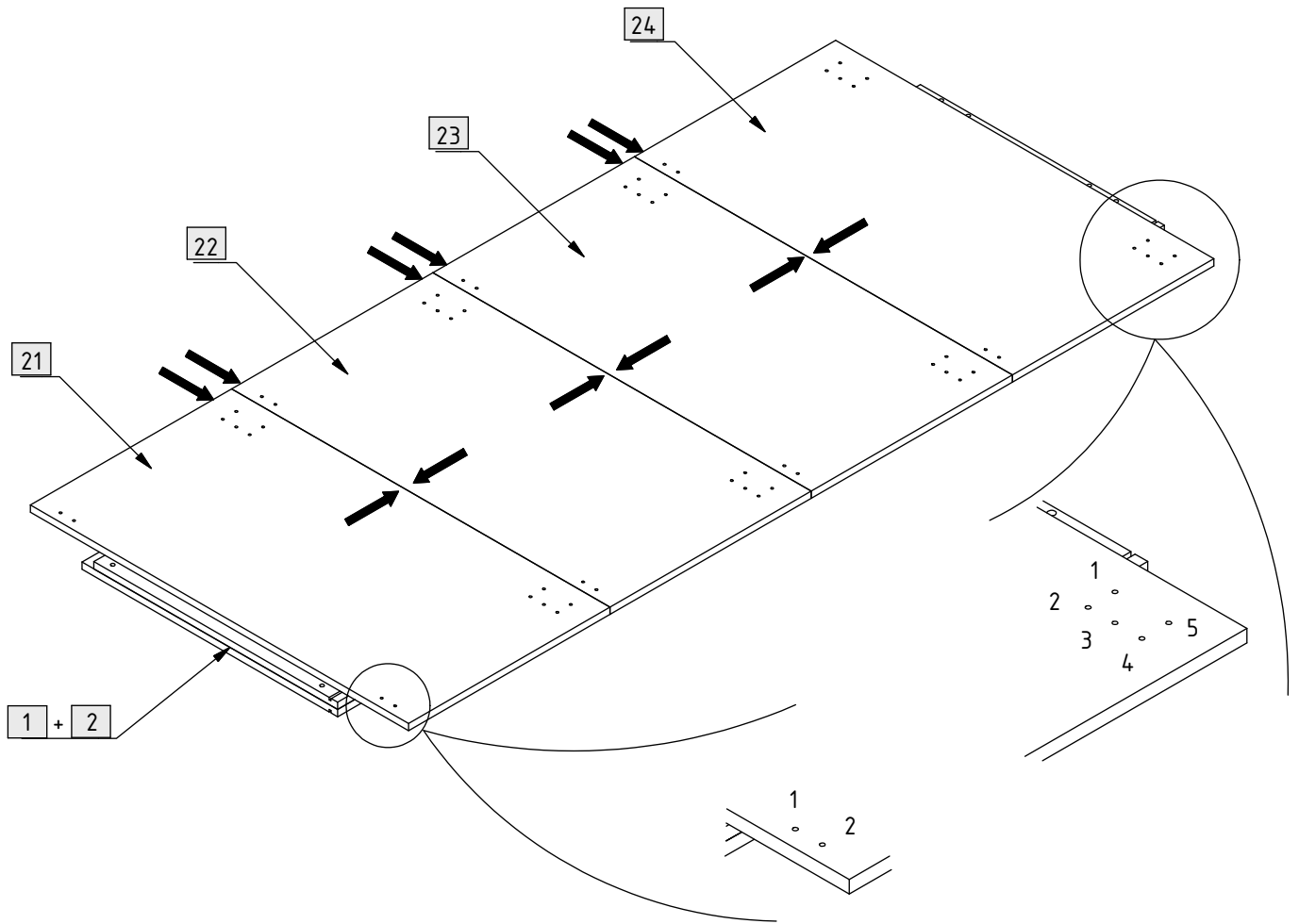
31 + 32 + 33 + 34

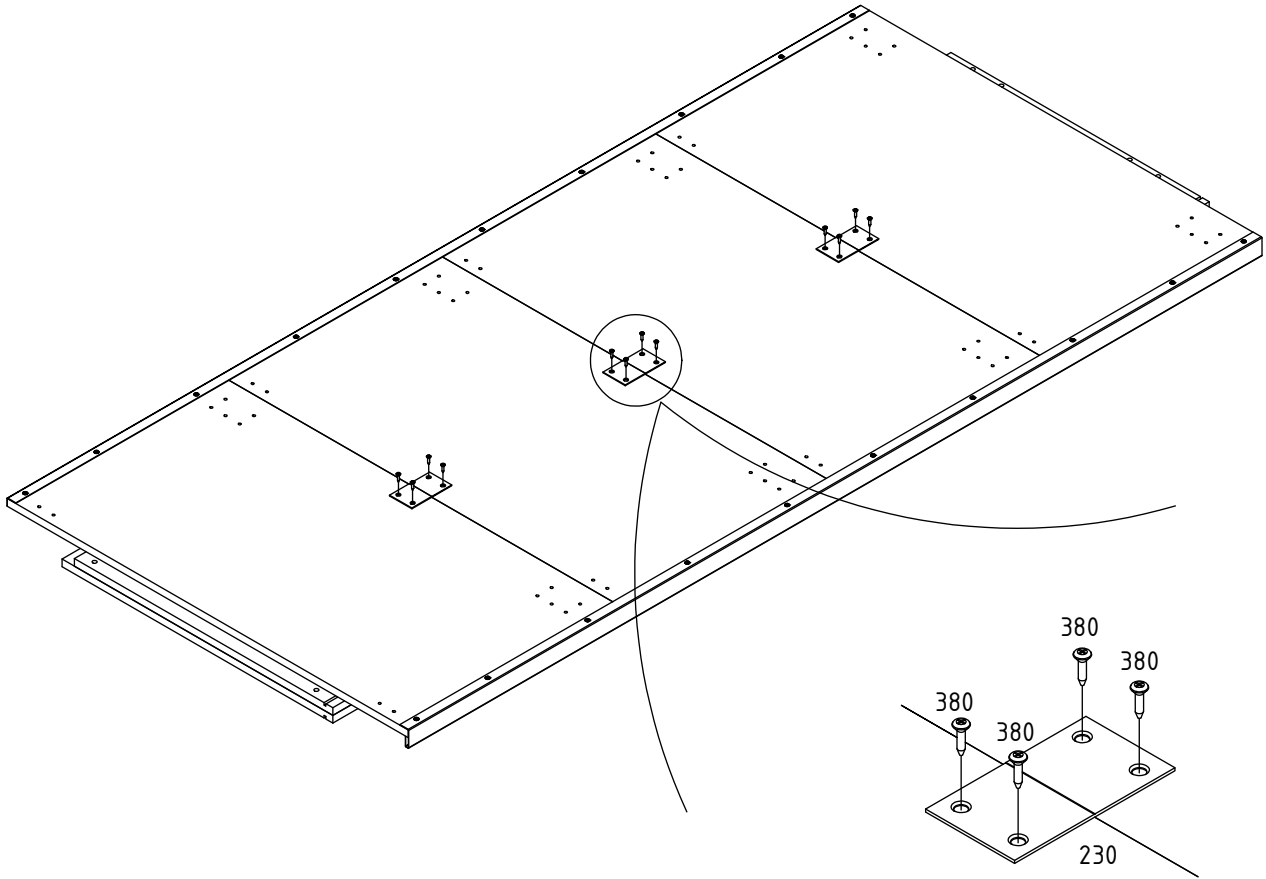
| | | | |
|-----|----|--|-------------|
| 230 | 3 | | 90 x 50 mm |
| 306 | 10 | | 6,3 x 10 mm |
| 380 | 12 | | 3,5 x 15 mm |
| 382 | 20 | | 4 x 15 mm |
| 800 | 1 | | L = 1915 mm |
| 801 | 1 | | L = 1915 mm |
| 804 | 2 | | |
| 805 | 1 | | |
| 806 | 1 | | |
| 807 | 1 | | |

| | | | |
|-----|----|--|-------------|
| 230 | 3 | | 90 x 50 mm |
| 306 | 14 | | 6,3 x 10 mm |
| 380 | 12 | | 3,5 x 15 mm |
| 382 | 20 | | 4 x 15 mm |
| 800 | 2 | | L = 1915 mm |
| 802 | 2 | | |
| 803 | 2 | | |

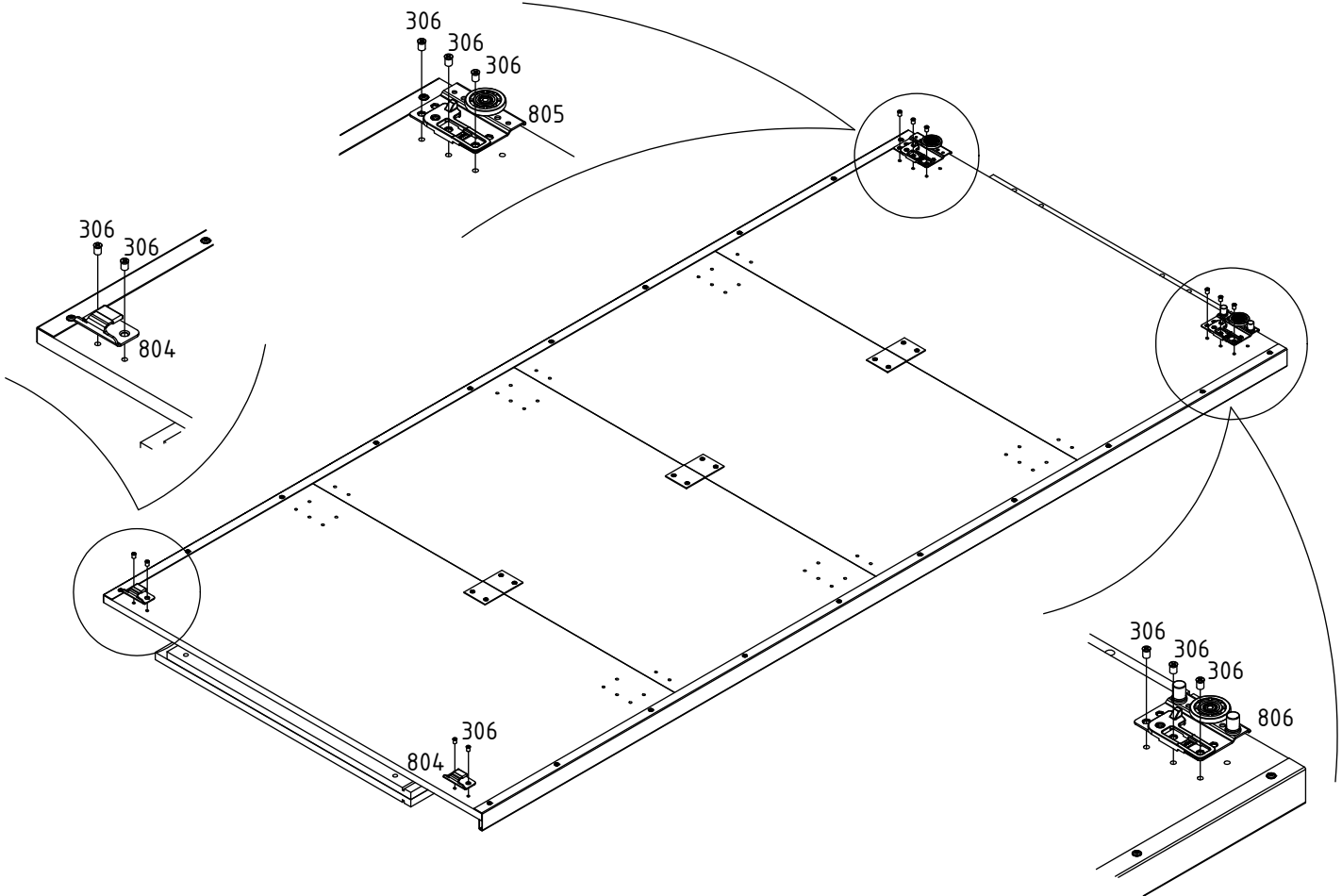


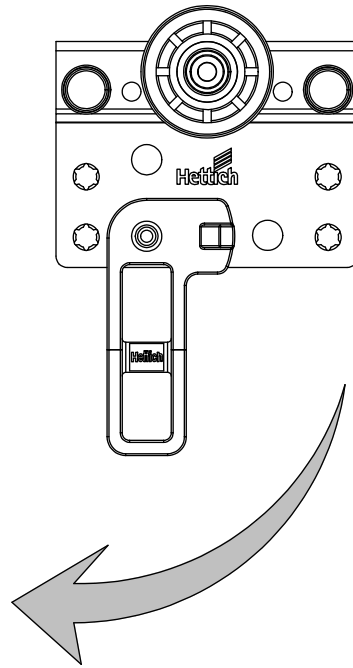
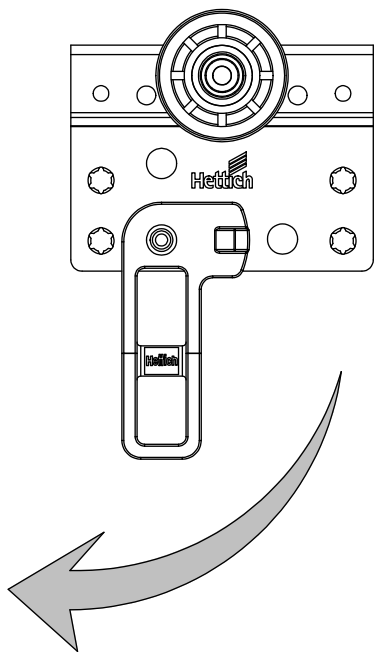
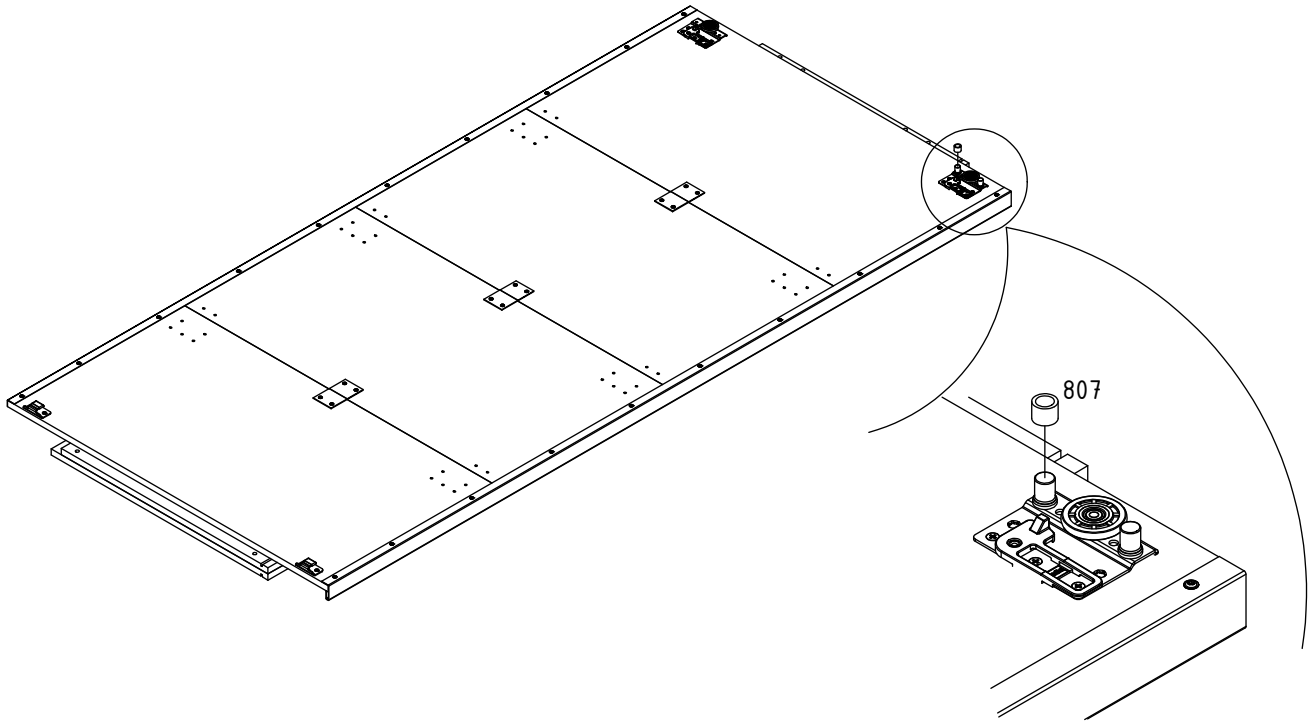
21 + 22 + 23 + 24

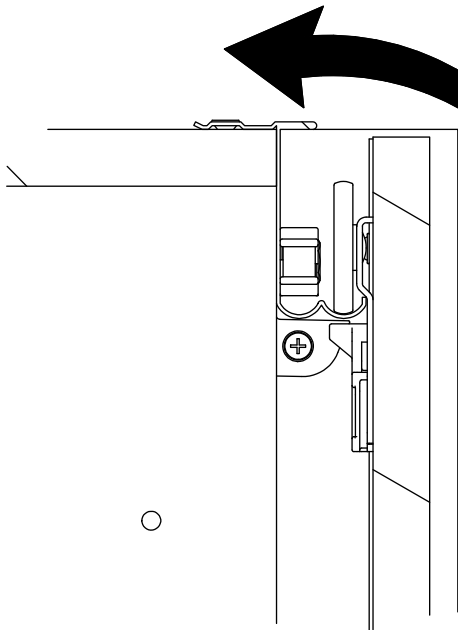
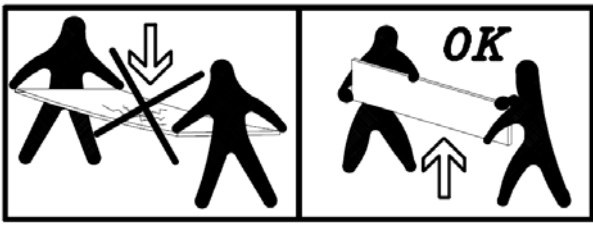




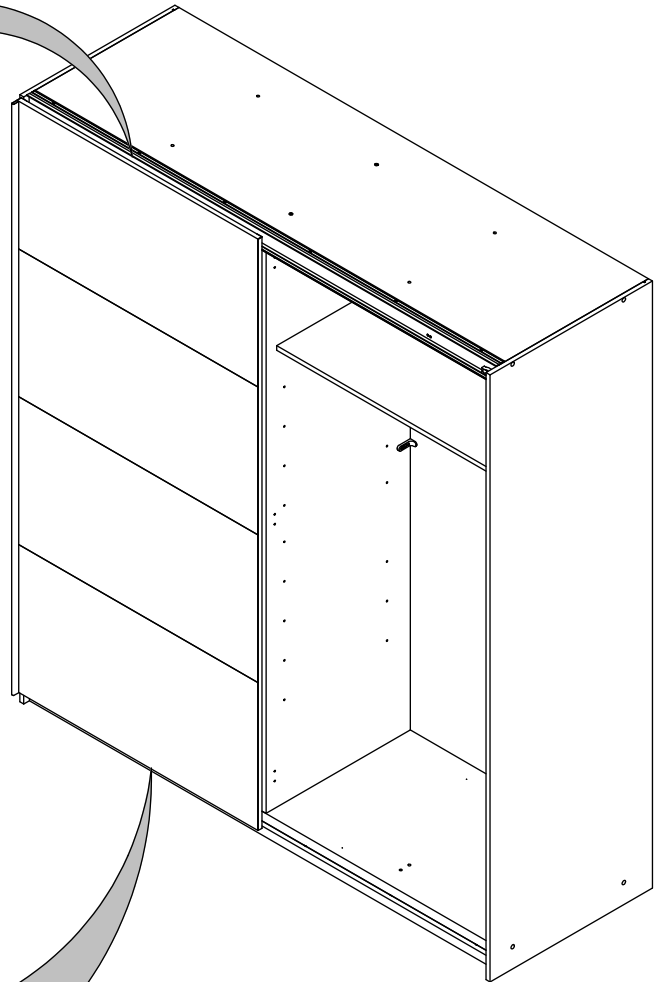
3x



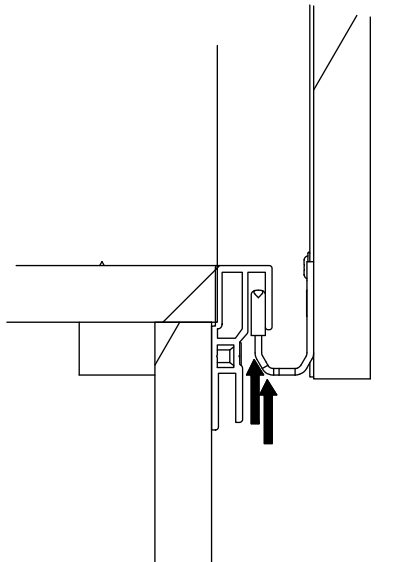




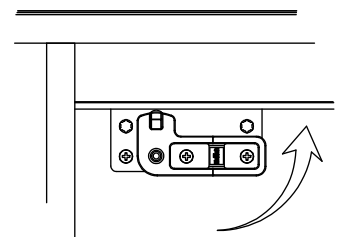
2.



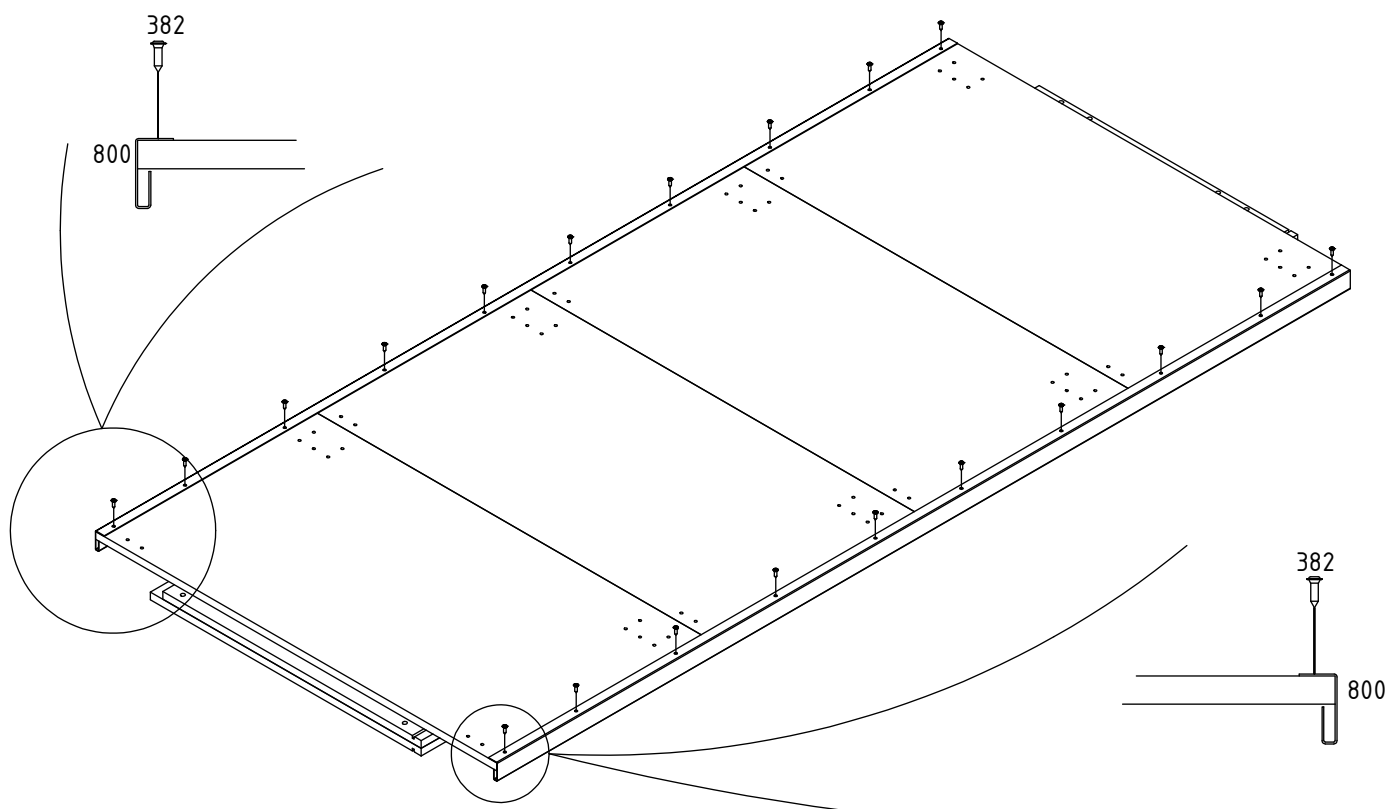
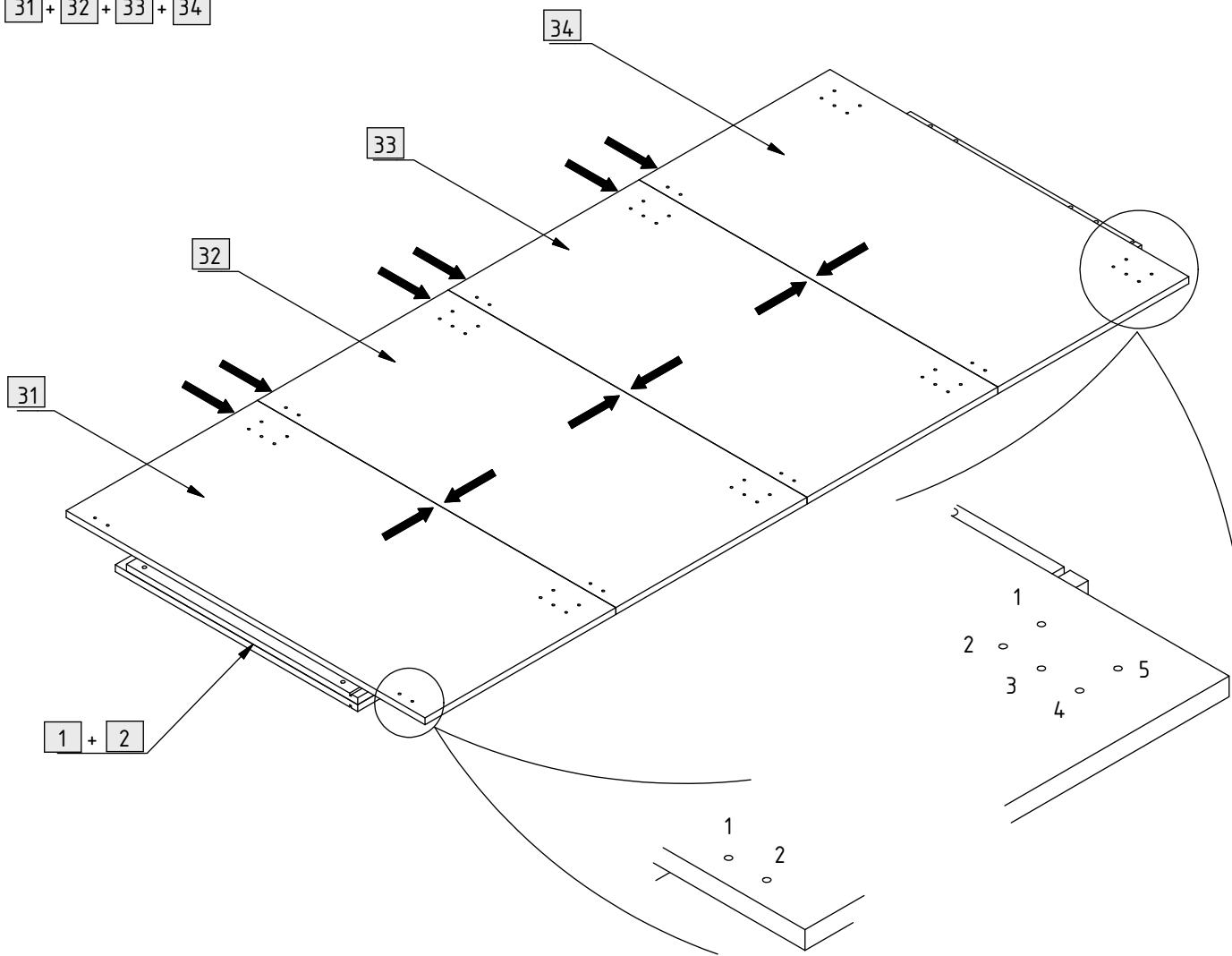
1.

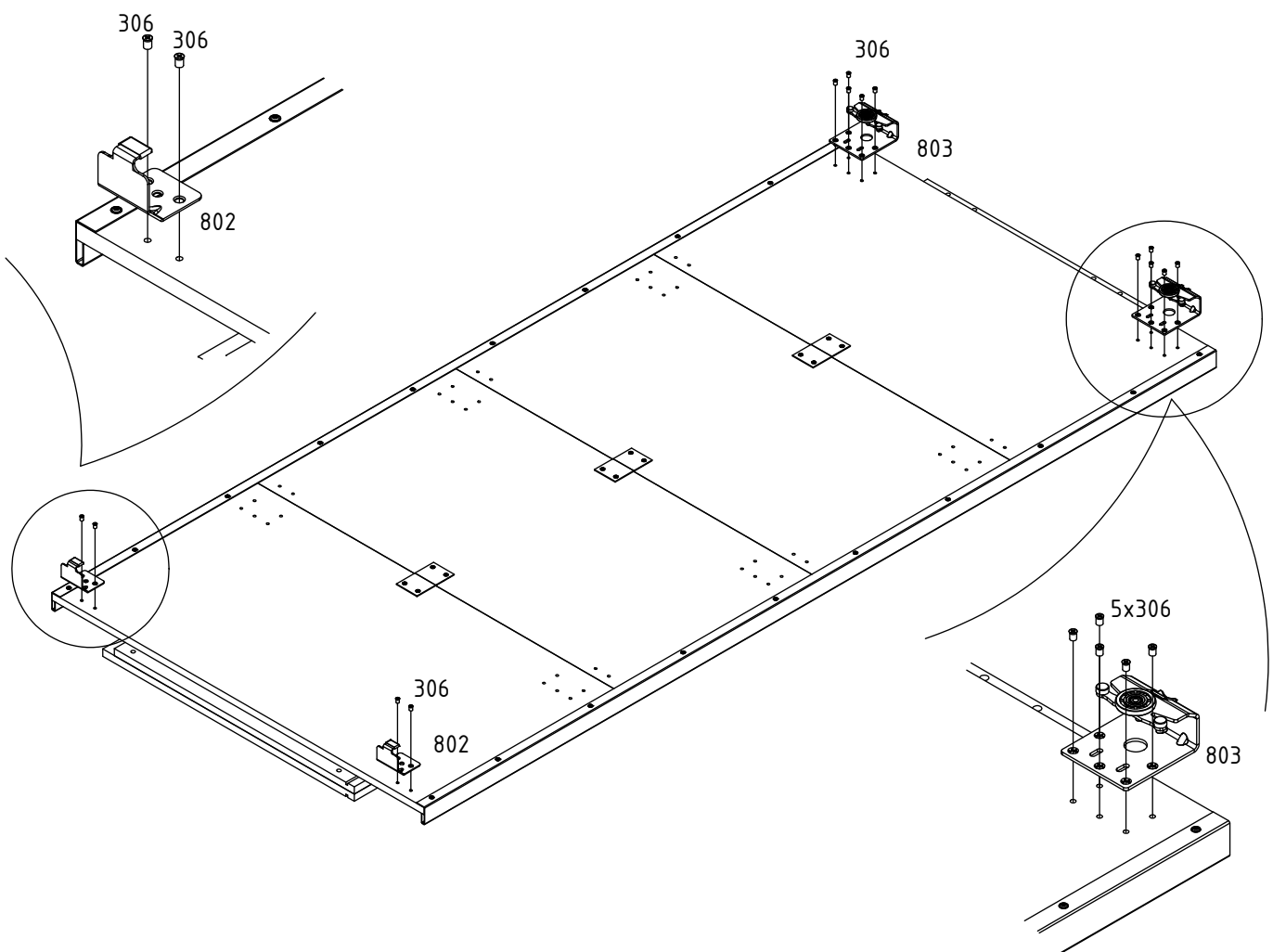
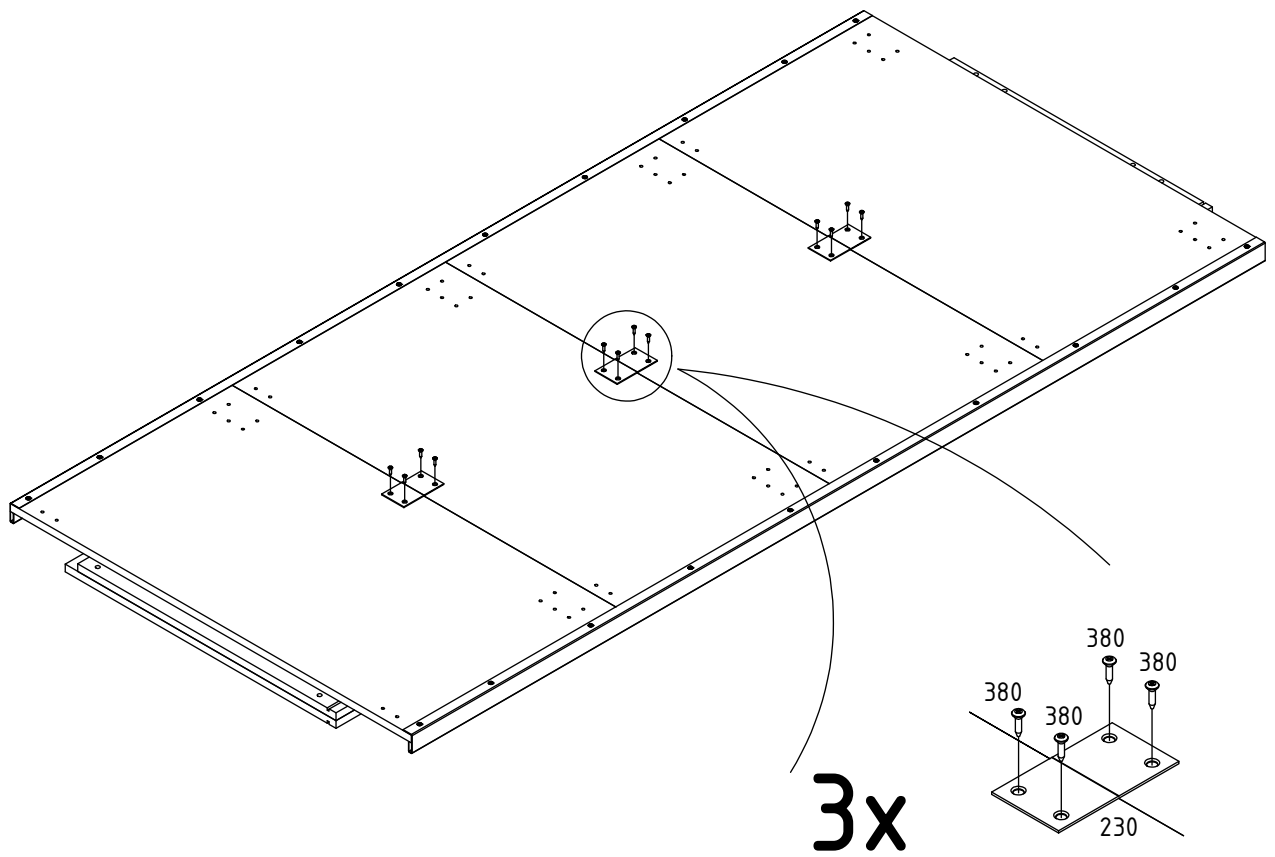


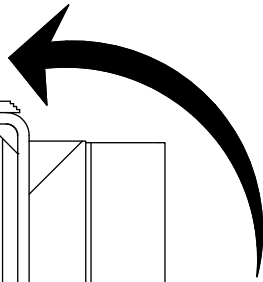
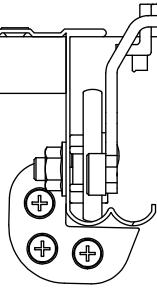
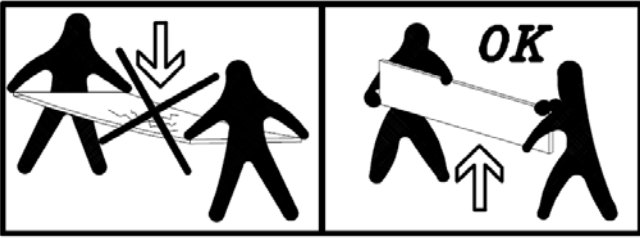
3.



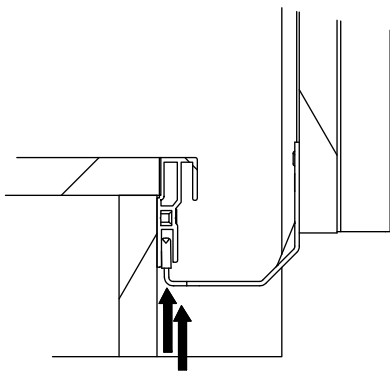
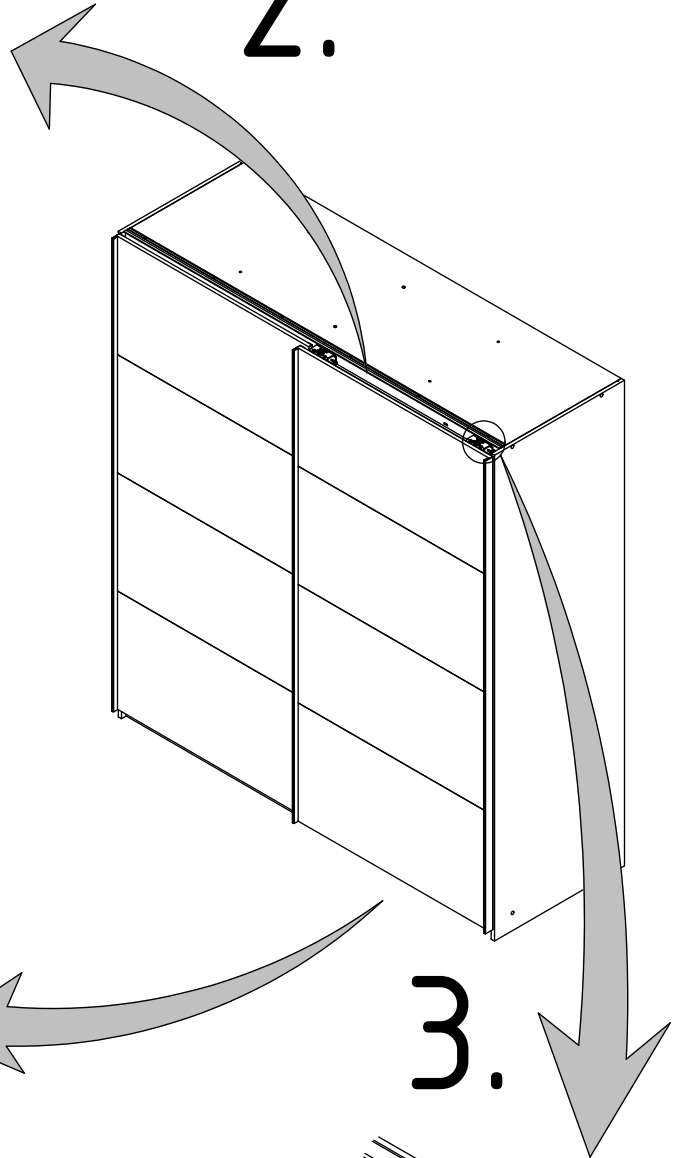
31 + 32 + 33 + 34



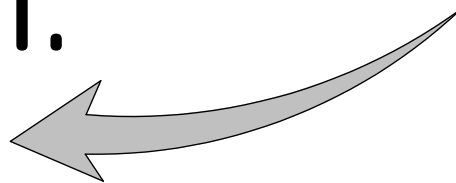




2.

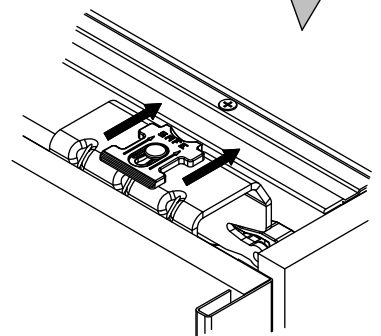


1.

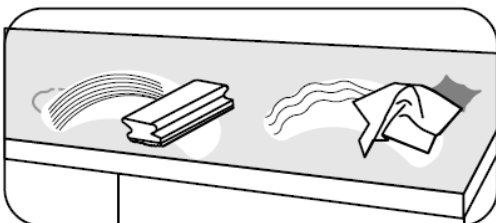
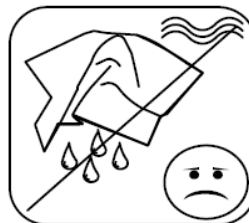
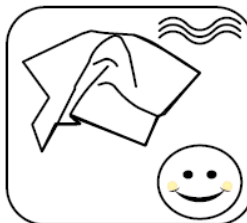
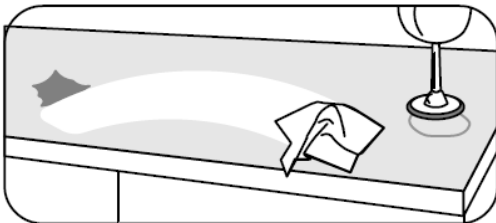
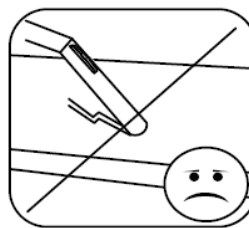
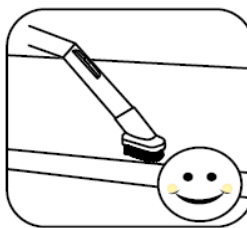
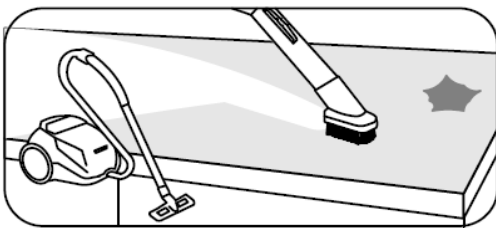


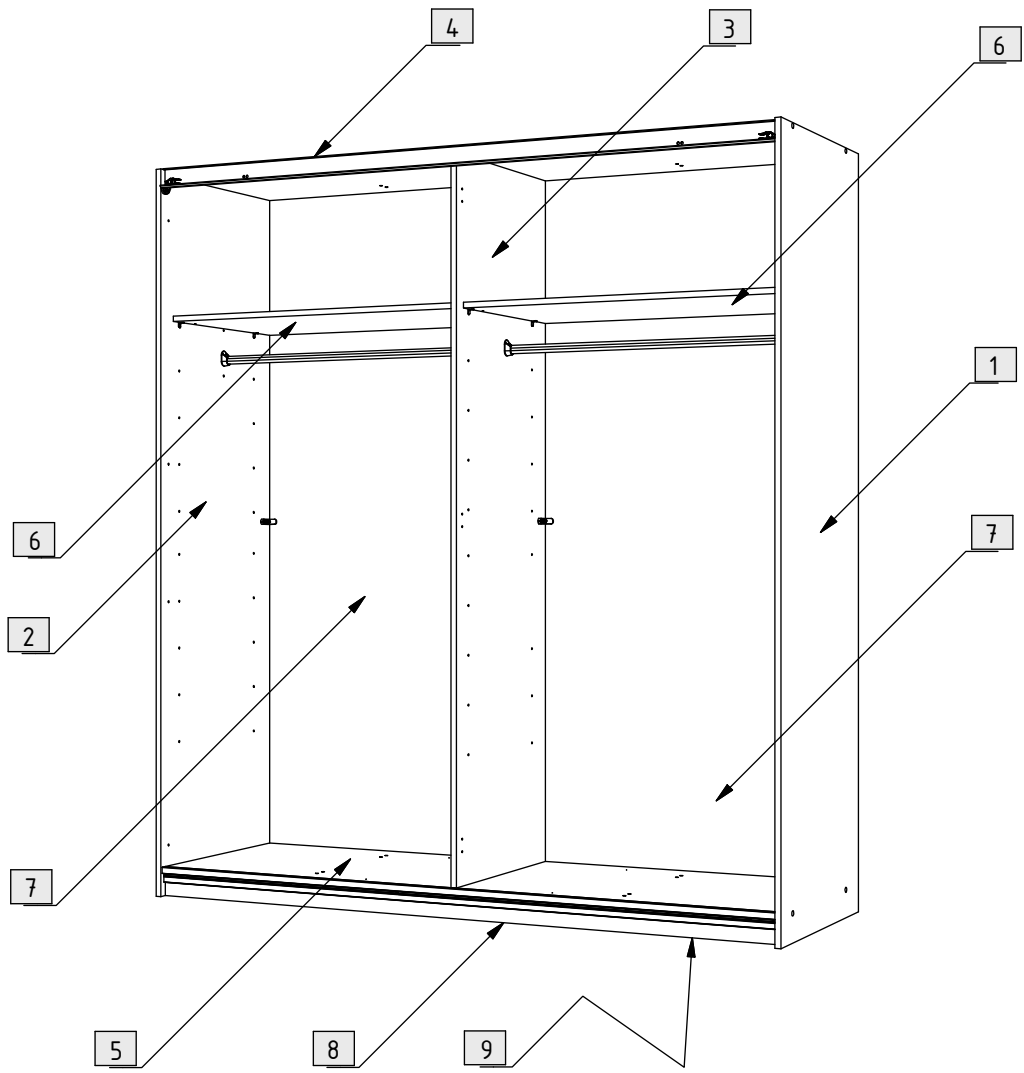
3.

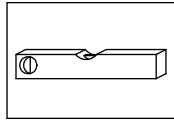
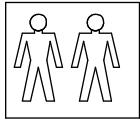
2x



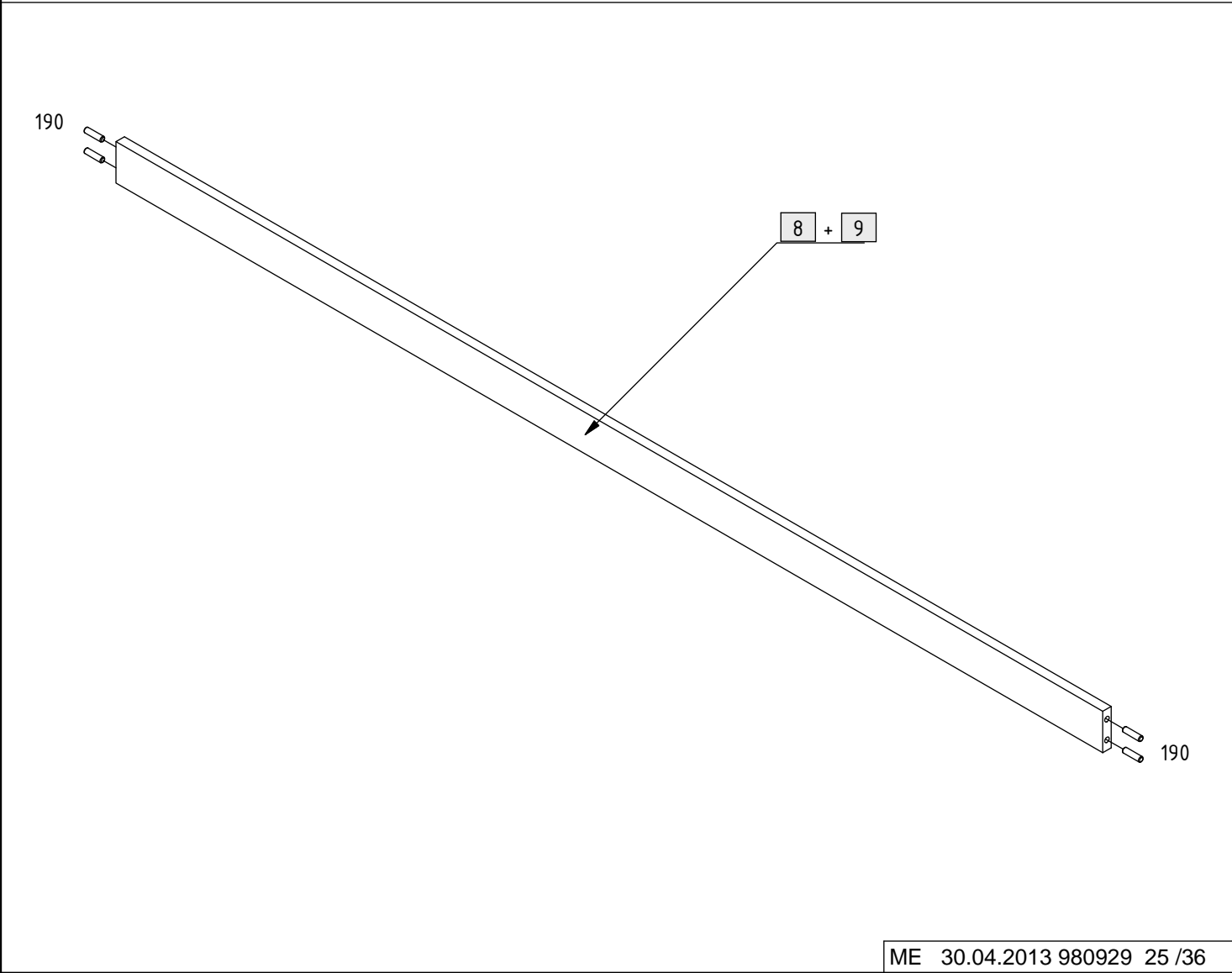
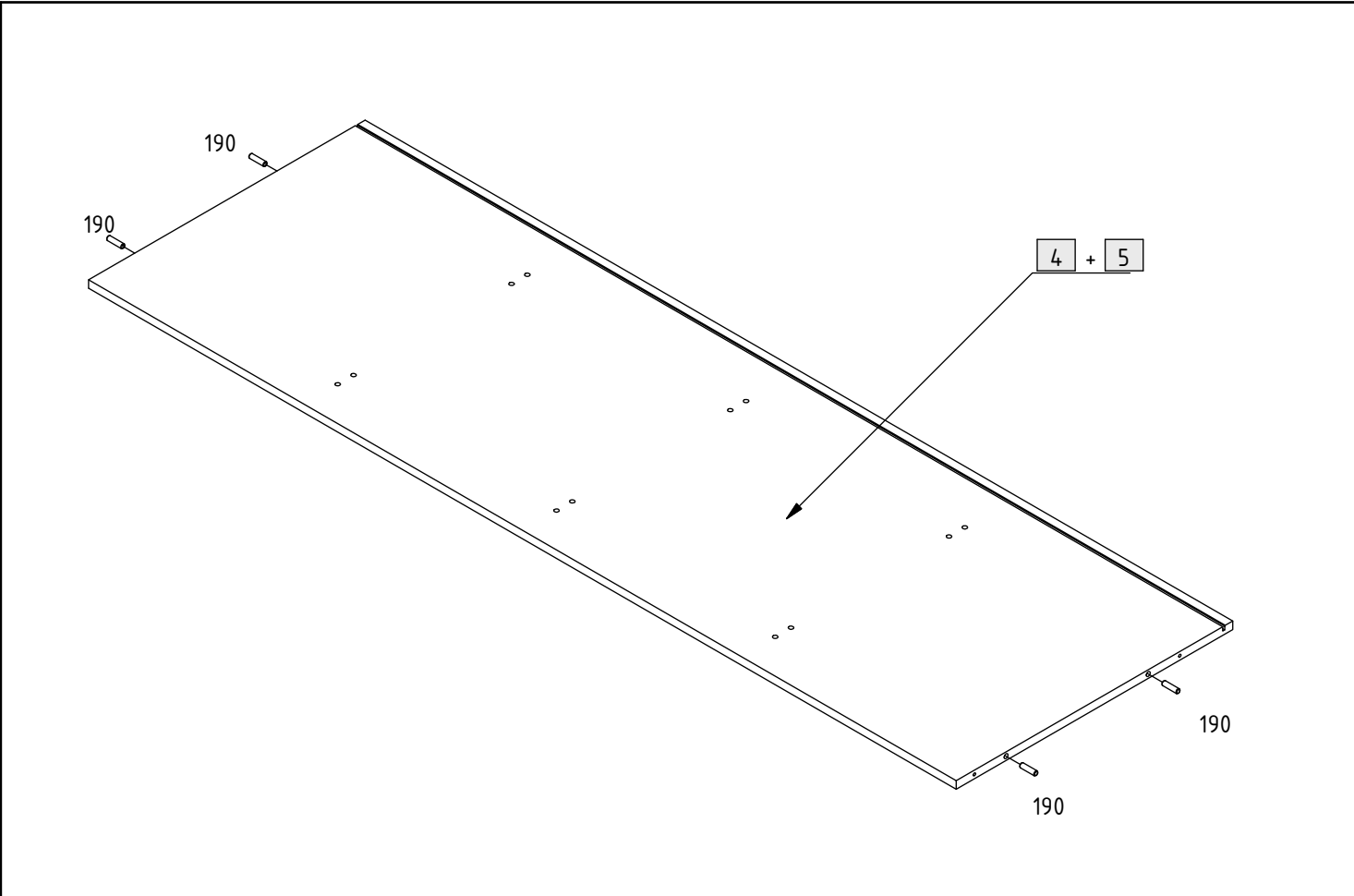
3.

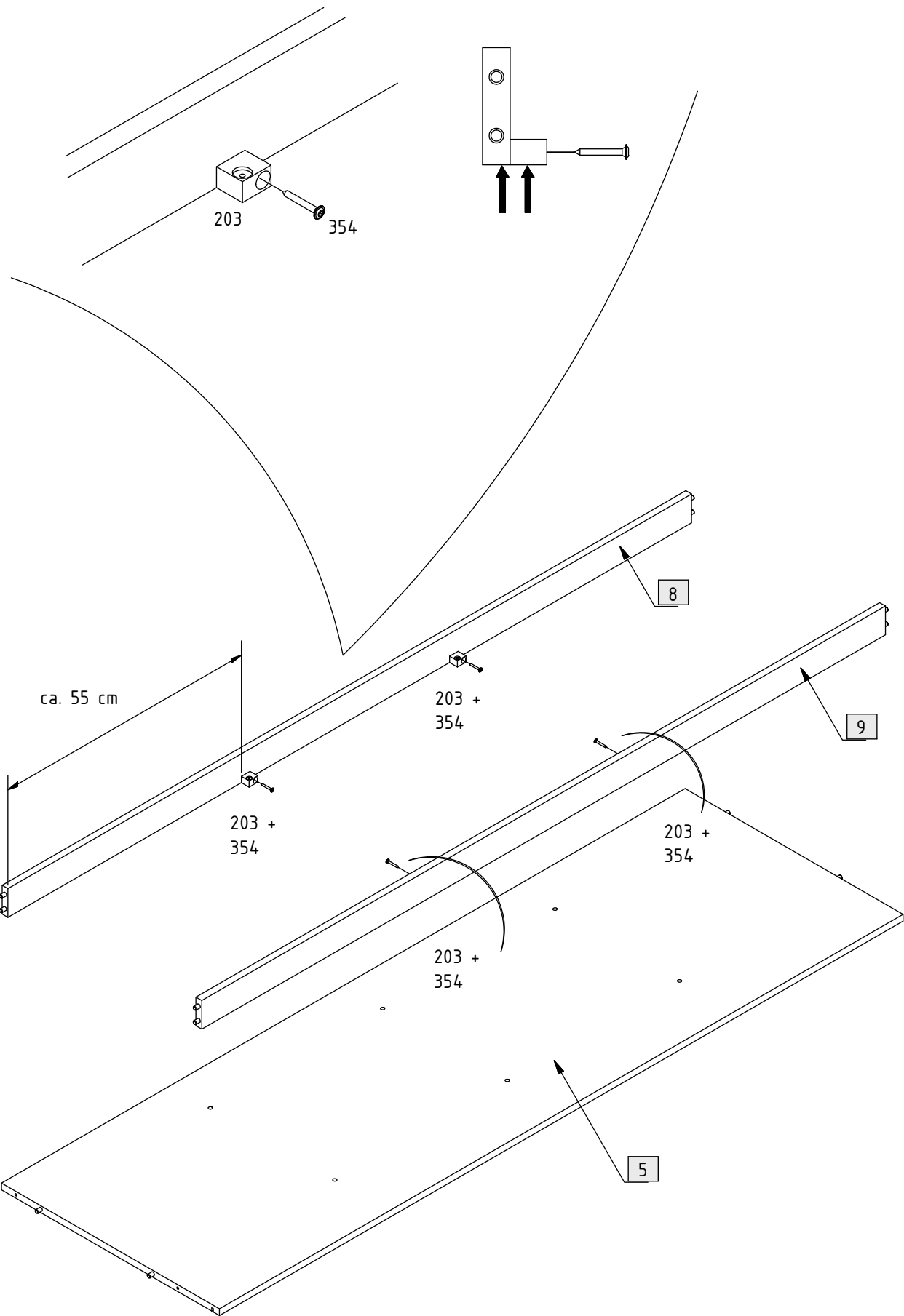


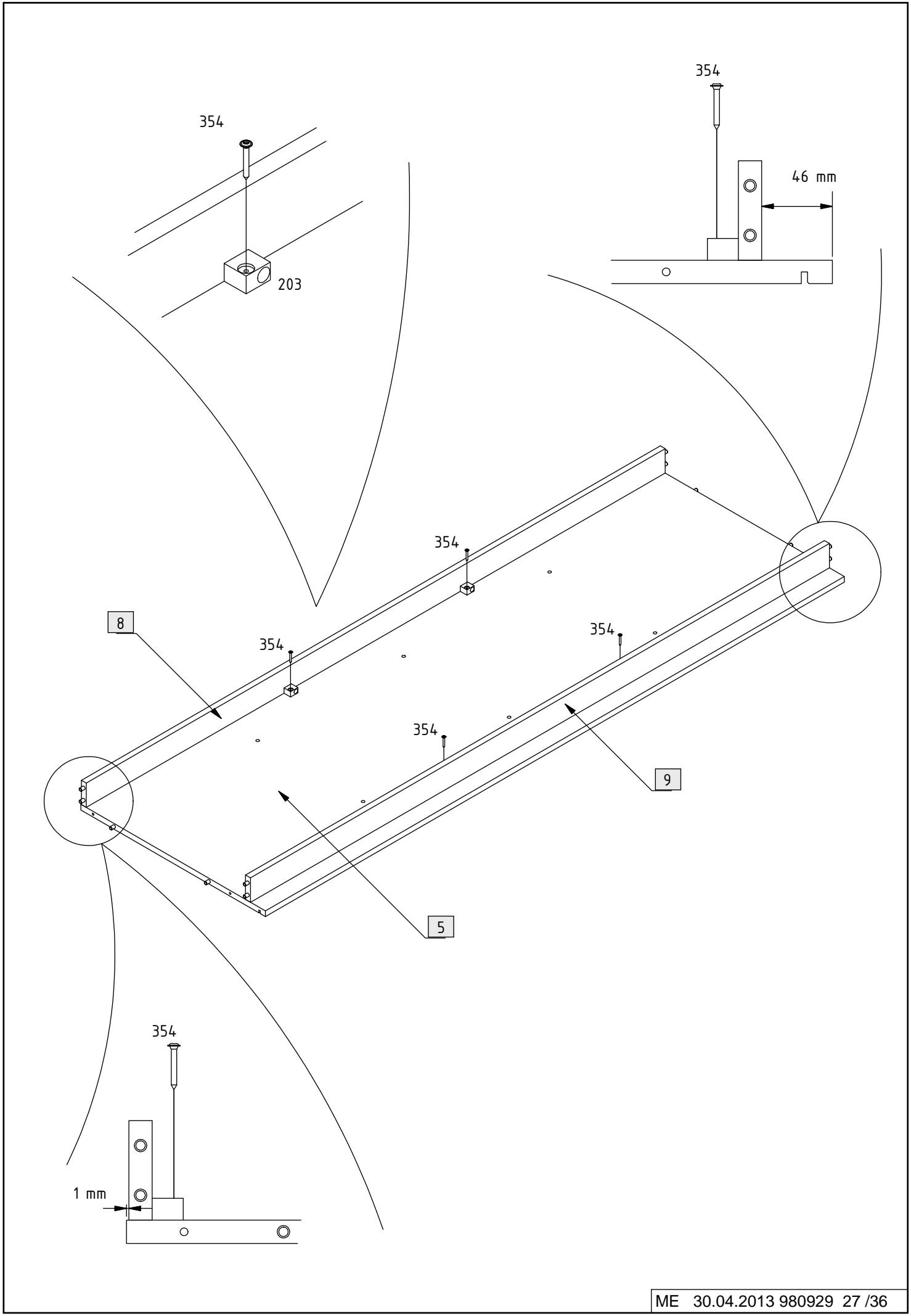


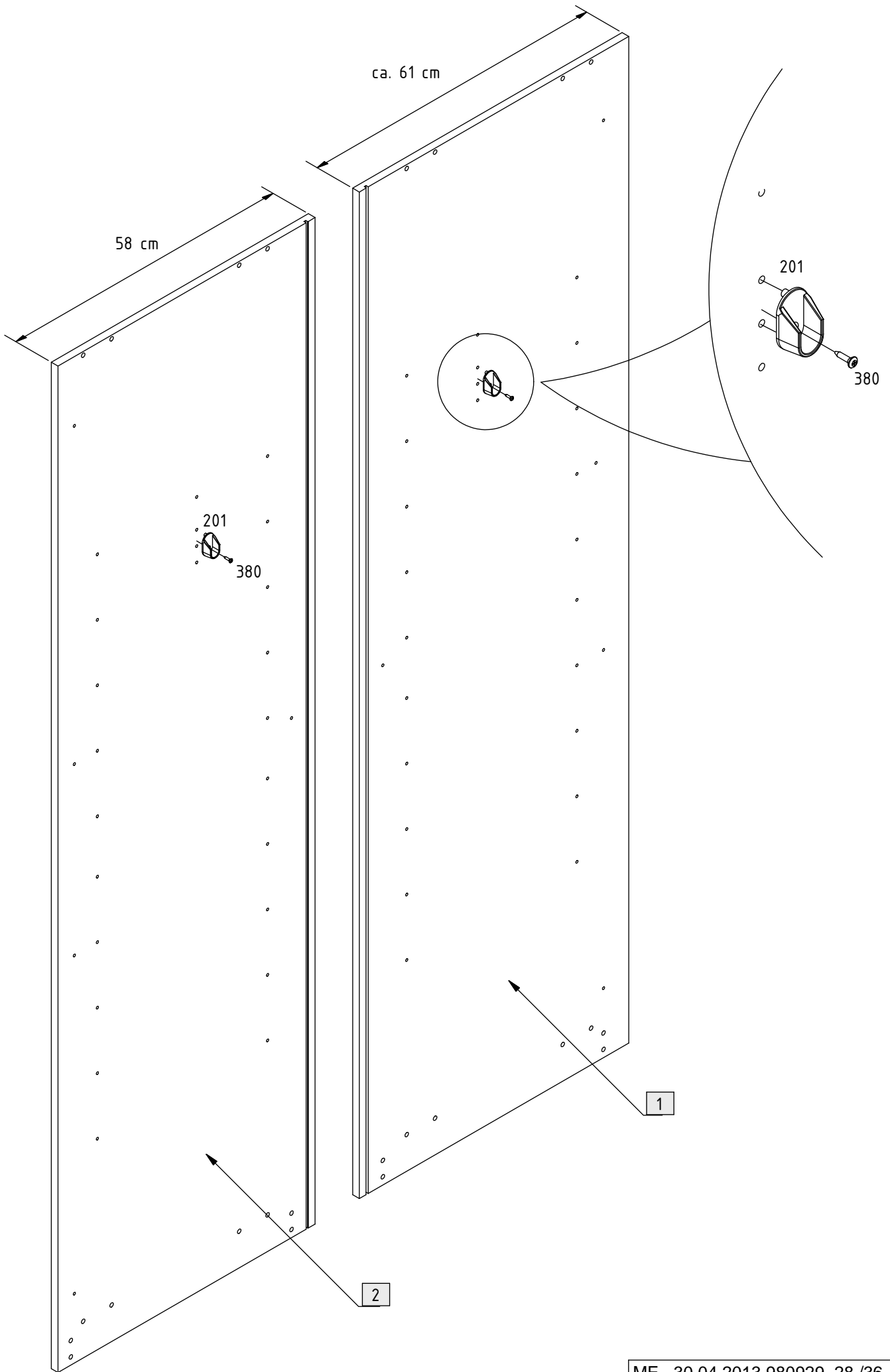


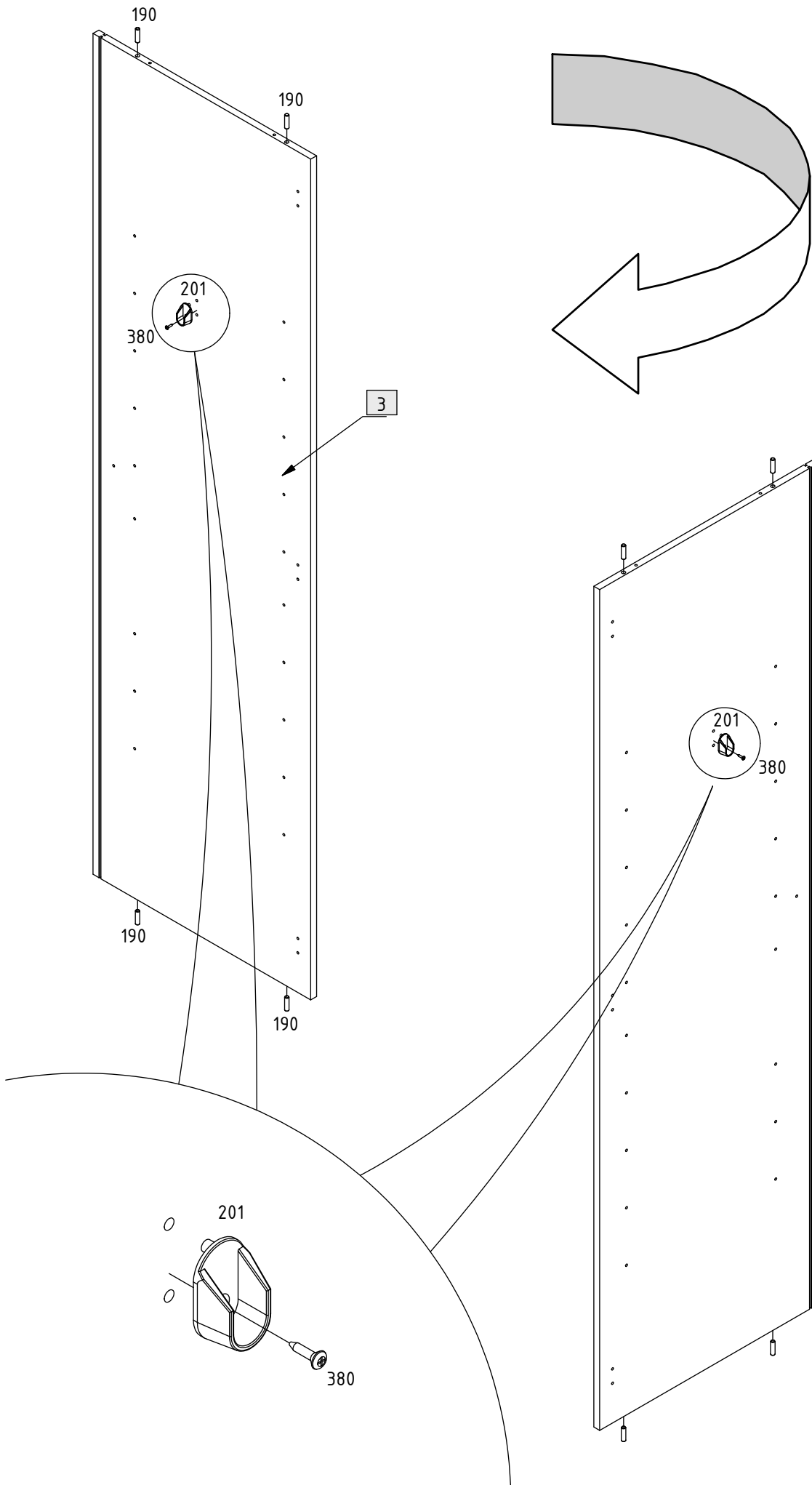
| | | | | | | | |
|-----|----|--|-------------|-----|---|--|-------------|
| 102 | 8 | | | 746 | 2 | | L = 865 mm |
| 181 | 8 | | | 792 | 1 | | L = 1756 mm |
| 190 | 20 | | Ø8 x 30 mm | 794 | 1 | | L = 1756 mm |
| 201 | 4 | | | 795 | 2 | | |
| 203 | 4 | | | 796 | 2 | | |
| 220 | 8 | | | 797 | 2 | | |
| 221 | 4 | | | 798 | 2 | | |
| 303 | 4 | | 3 x 10 mm | | | | |
| 320 | 10 | | 6 x 50 mm | | | | |
| 354 | 8 | | 3,5 x 25 mm | | | | |
| 380 | 20 | | 3,5 x 15 mm | | | | |
| 381 | 6 | | 3,5 x 20 mm | | | | |

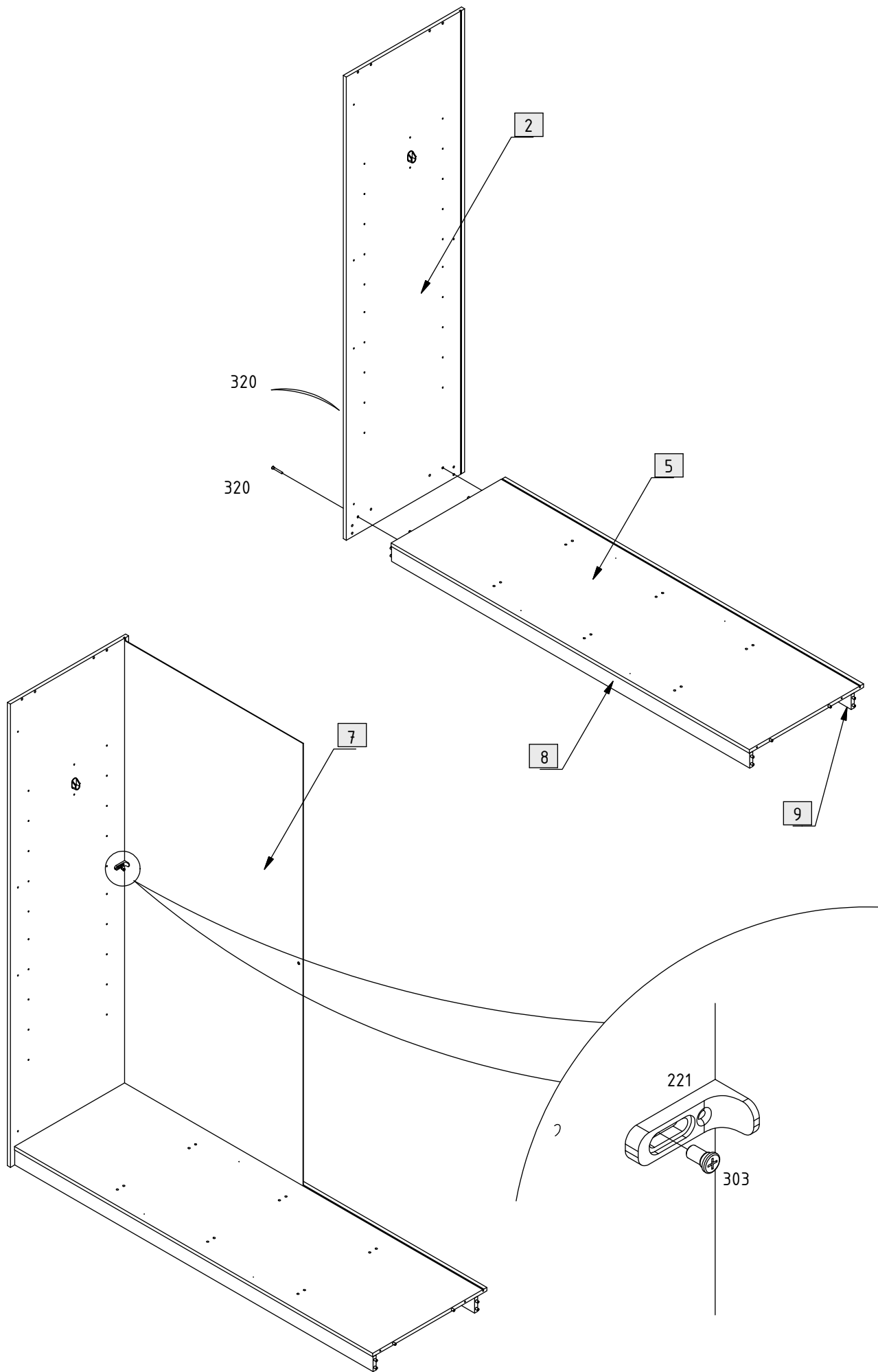


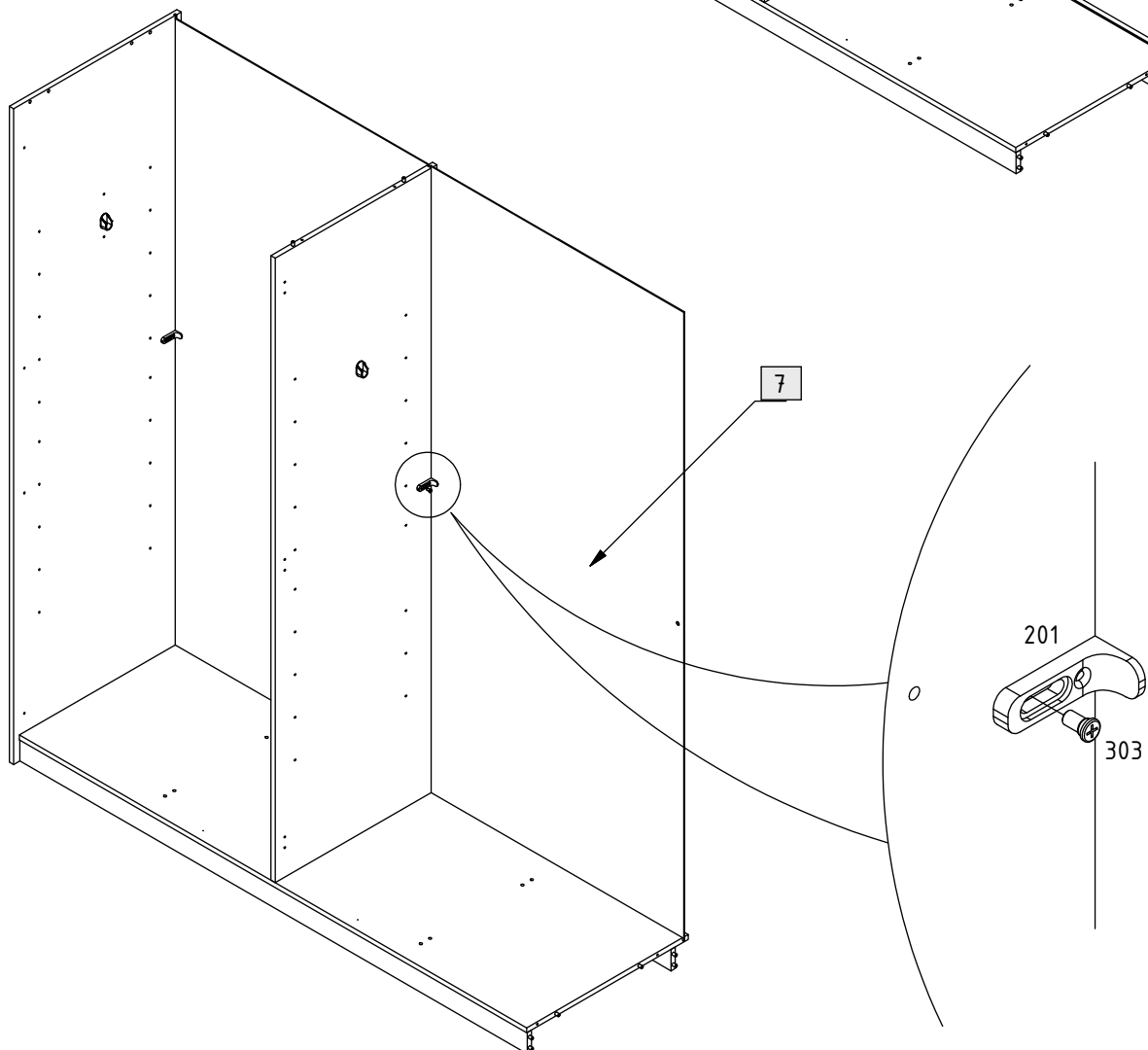
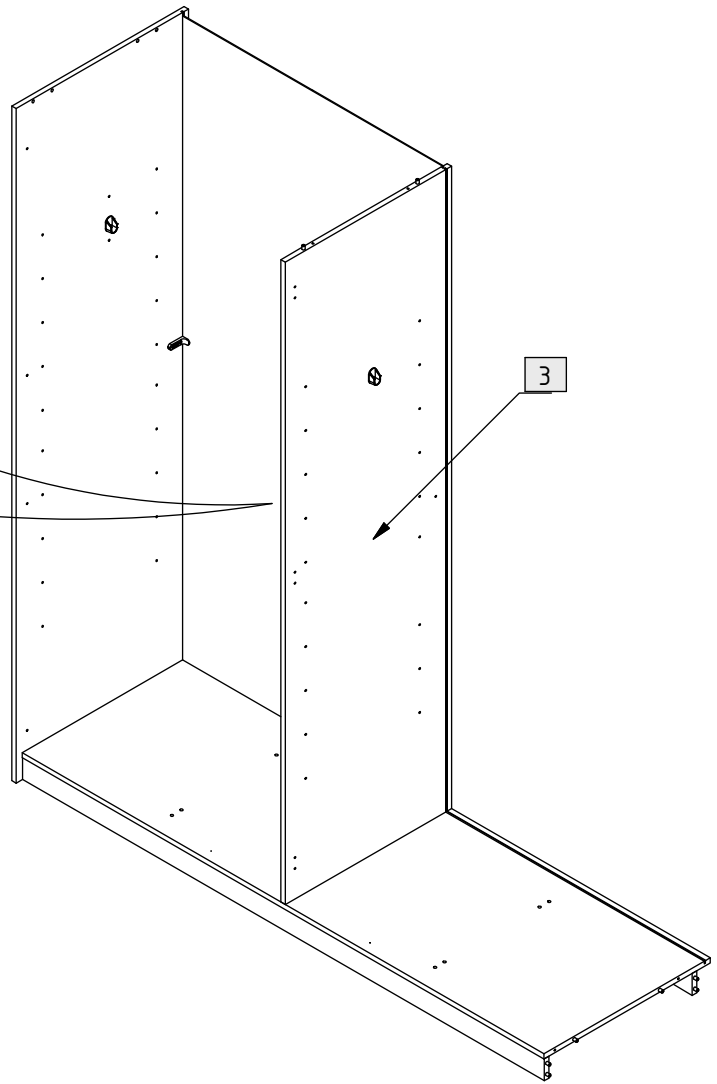
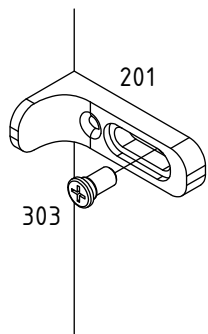


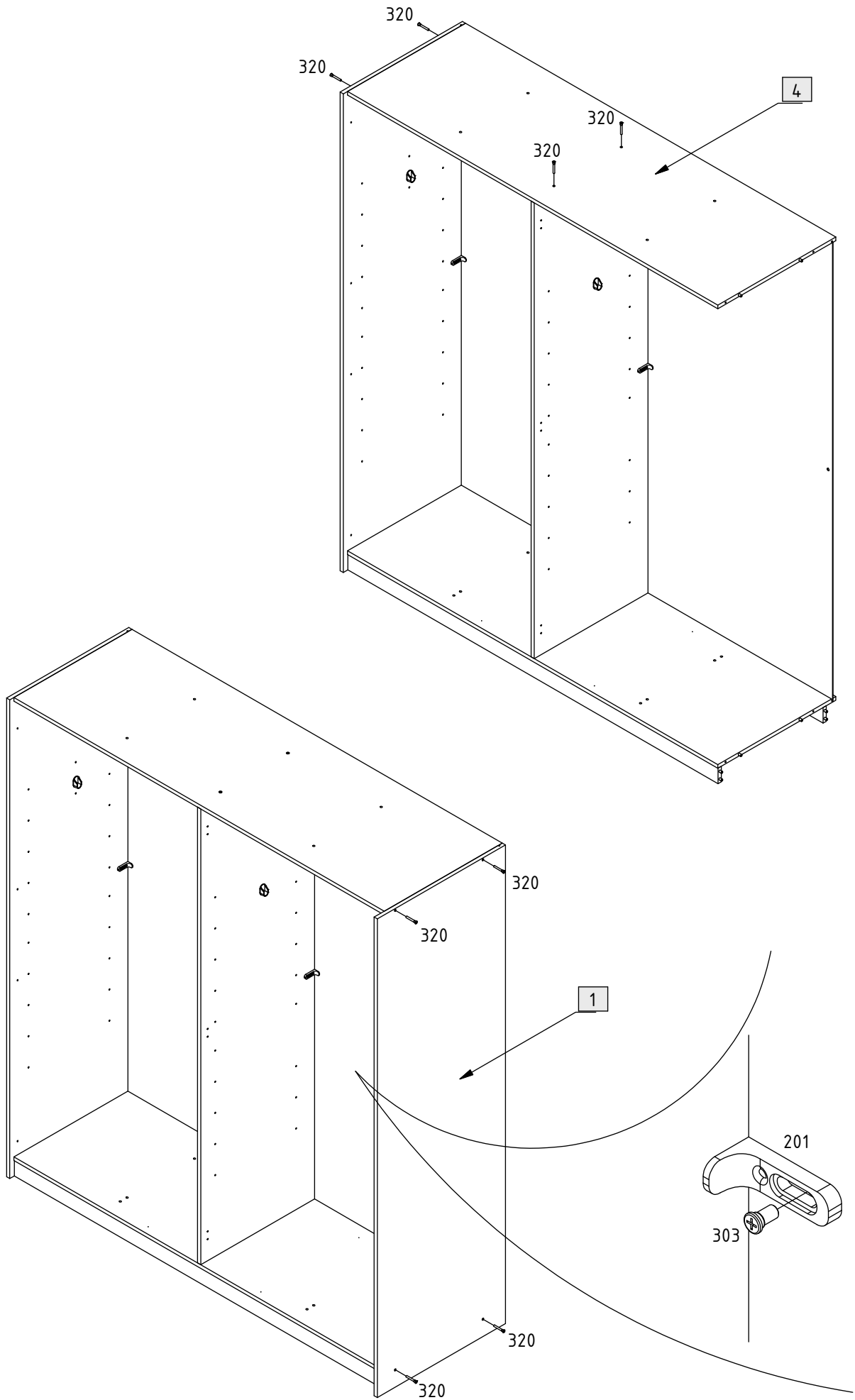


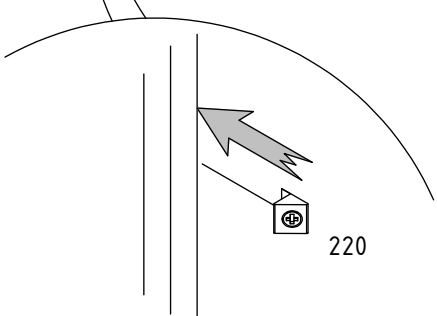
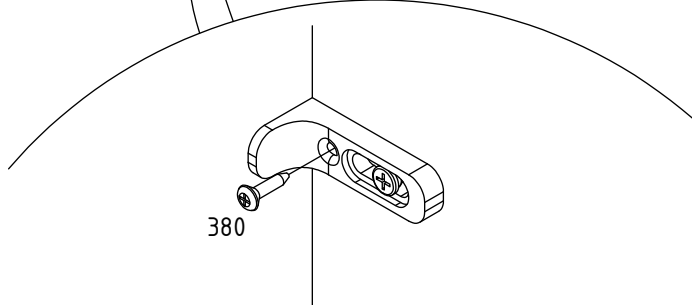
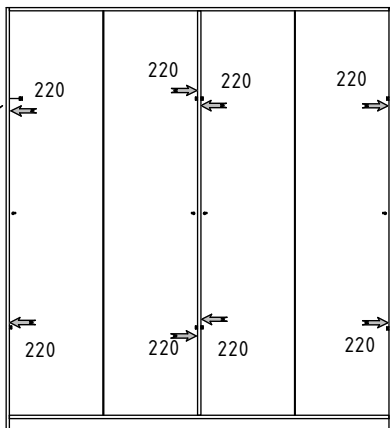
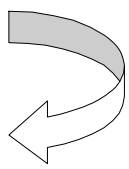
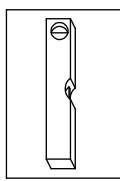
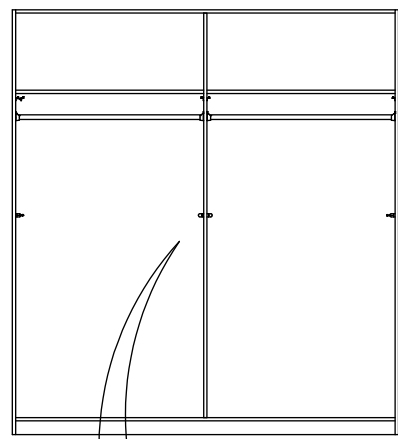
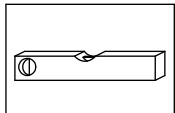
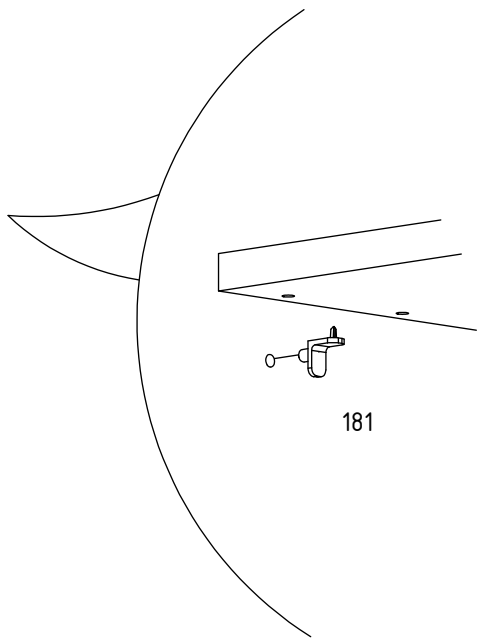
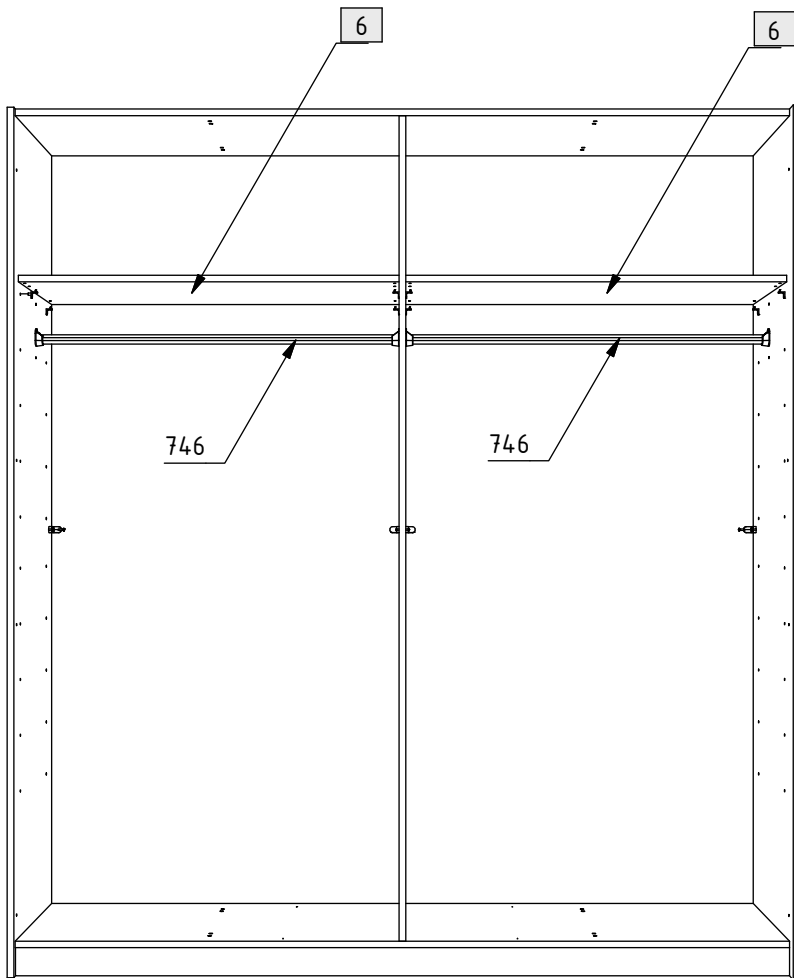












6x

380

794

794

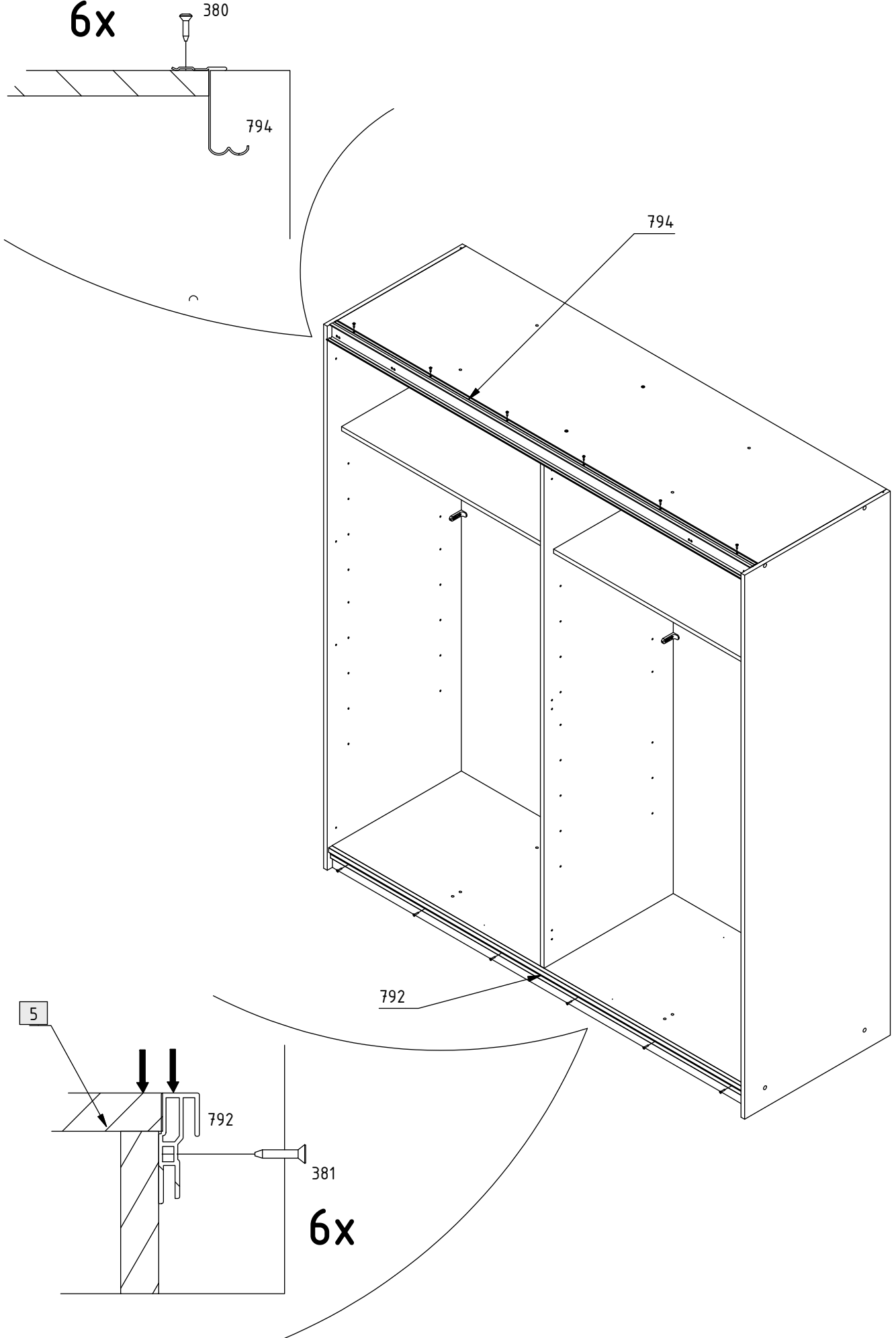
792

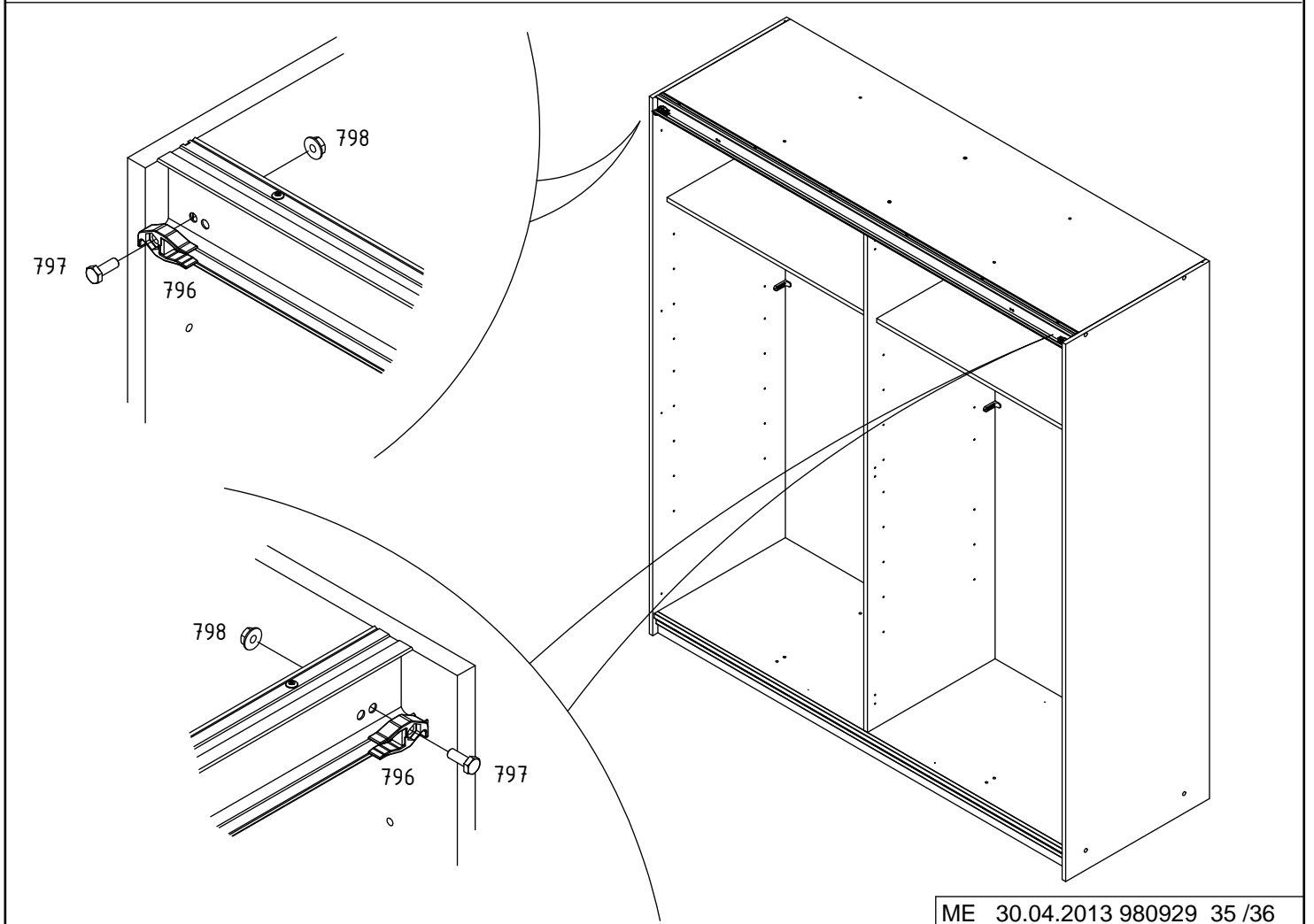
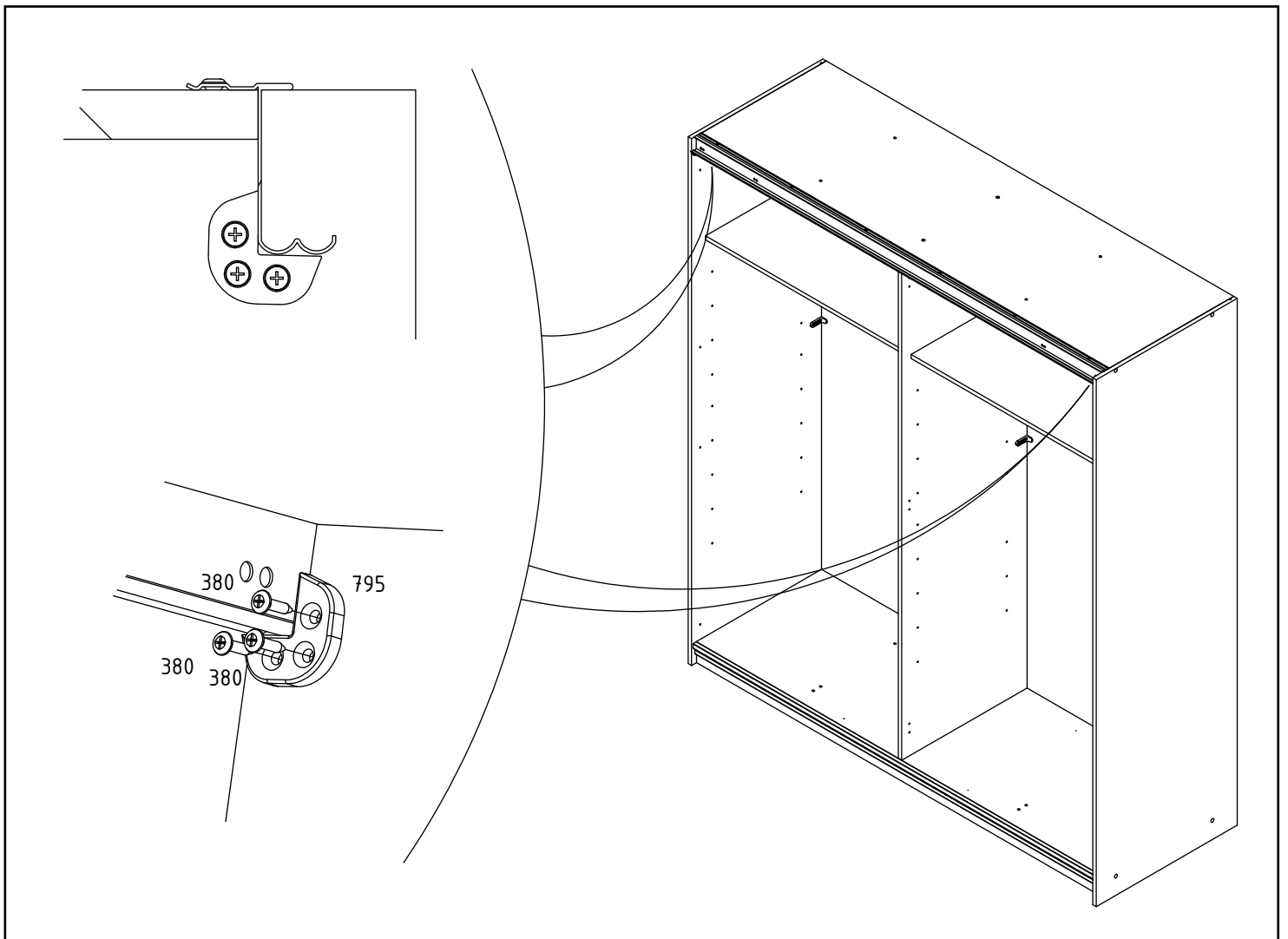
5

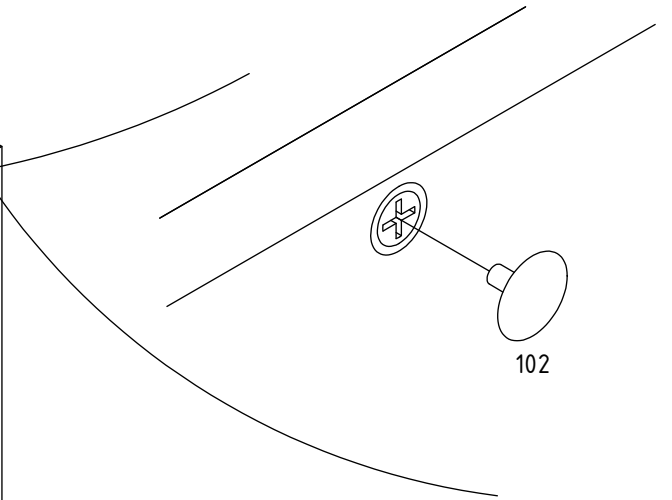
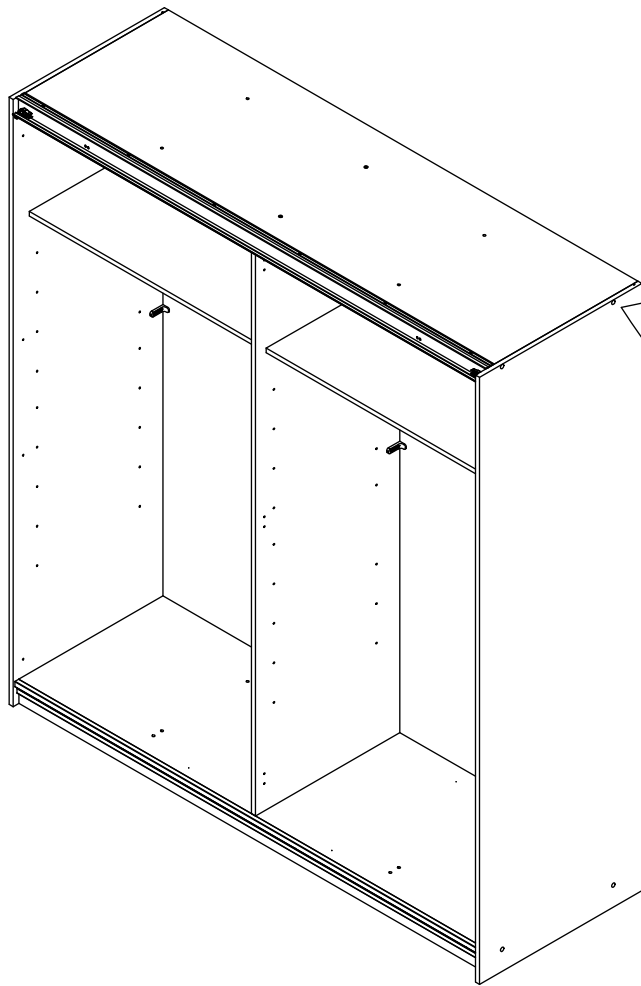
792

381

6x







102